



Diffuse Dome A25045 with Ringlight, A08700
(Ringlight not included)



Diffuse Dome A25045 with Ringlight, A08700
(Ringlight not included)

Diffuse Dome

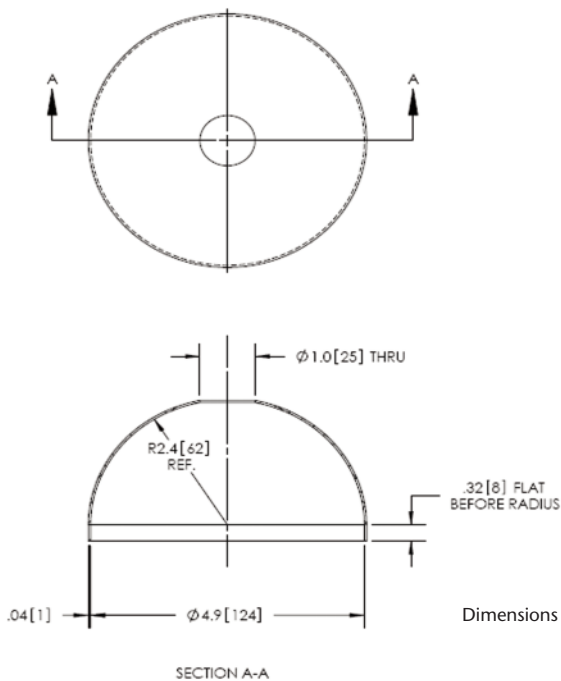
For use with 4" Fiber Optic Ringlight A08700

Standard Features

- Eliminates specular glints and/or shadows on reflective parts
- Used in conjunction with 4" diameter ringlight A08700
- 4.9" (124 mm) diameter x 2.70" (69 mm) height (without ringlight)
- Viewing aperture: 0.98 (25 mm)

Typical Applications

- Data matrix code reading
- OCR/OCV
- Semiconductor wafer inspection
- Foil inspection
- Can inspection



*Product improvements may result in specification
or feature changes without notice.*

Lighting and Imaging
SCHOTT North America, Inc.
122 Charlton Street
Southbridge, MA 01550
USA
Phone: +1508/765-9744
Fax: +1508/764-6273
E-mail: lightingimaging@us.schott.com
www.us.schott.com/lightingimaging

SCHOTT
glass made of ideas