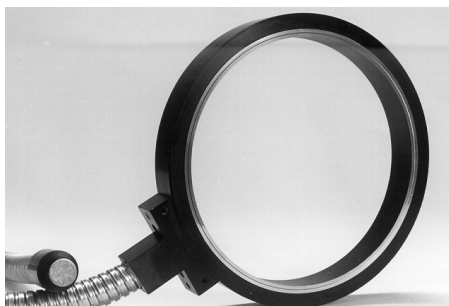


Mini Ringlight, A08650



4" Ringlight, A08700



8" Ringlight, A08710

Midi, Mini and Maxi Ringlights

For 19 to 53 mm Objective Diameters

SCHOTT ringlights emit intense, uniform, and shadow-free illumination for Machine Vision and Microscopy applications.

Mini Features

- Fit microscope and camera objectives from 19 to 32.5 mm.
- Working distance is .5" to 4" (13 to 102).

Midi Features

- Fit microscope and camera objectives from 38 to 53 mm.
- Working distance is 1.25" to 3.5" (32 to 89)*.

Midi & Mini Ringlight Features

- Thumbscrew mounting system for precise positioning. Ringlights fit directly on most microscope and camera objectives without adapters. For instances when adapters are necessary, see the Accessories section of the catalog.
- Vertical exit bundle option increases work space and prevents the bundle from interfering with surrounding objects.
- The ringlight body is made of rugged, black anodized aluminum. The fiber bundle is protected with flexible PVC covered metal tubing.

4" Ringlight

- Fiber ring diameter is 4.5" (114*).
- Working distance ranges from 2" to 8" (51 to 203).
- Light exits at 40 degree angle for specular-free illumination.
- Randomized fiber bundle maximizes uniformity.
- The ringlight body is made of rugged, black anodized aluminum and the fiber bundle is protected with flexible PVC covered metal tubing.

8" Ringlight

- Low Profile ringlights for working distances from 2.5" to over 4.5 (64 to 114)
- #1/4-20 mounting threads in the coupler (front and top).
- The ringlight body is made of rugged, black anodized aluminum and the fiber bundle is protected with stainless steel tubing.

Maxi Ringlights					
Part No.	ID	OD	Working Distance	Bundle Length	Polarizer/ Analyzer
A08700	4" (102)	9.98" (127)	2" - 8" (51 - 203)	30" (762)	A08705
A08710	7.5" (191)	8.95" (227)	2.5" - 4.5" (64 - 114)*	40" (1016)	A08712

Use ringlights with our Dichroic color filters, diffusers, and polarizers for alternative lighting effects. Maci Ringlights will require an adapter, part number A08931, due to the size of the input.

01.22.10 REV H

Mini Ringlights				
Part No.	Standard Exit	Vertical Exit	Working Distance	Polarizer/ Analyzer
A08650	X		.5" - 1.5" (13 - 38)	A08632
A08660^	X		1.5" - 4" (38 - 102)*	A22032
A08670^		X	1.5" - 4" (38 - 102)*	A08627
Midi Ringlights				
A08630	X		1.25" - 3.5" (32 - 89)*	A08632
A08635		X	1.25" - 3.5" (32 - 89)*	A22032

^ 29% more fiber than A08650 ringlight
*Dimensions in () are in mm

SCHOTT
glass made of ideas

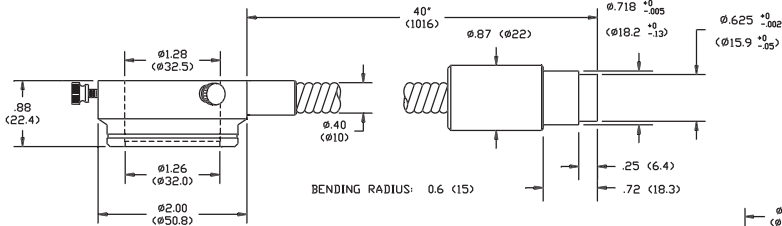
Midi, Mini & Maxi Ringlights

Dimensions in () are in mm

Product improvements may result in specification or feature changes without notice.

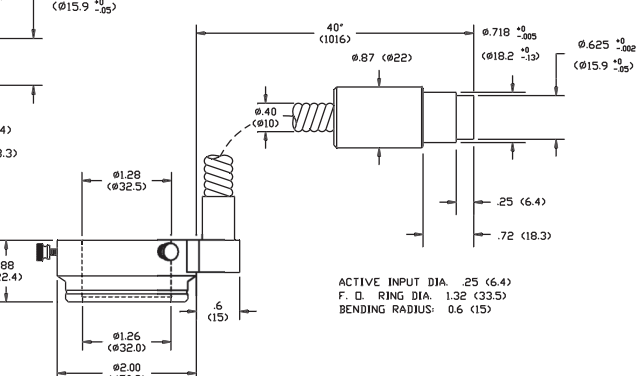
Ringlight Input: Black Anodized Aluminum or Conductive Finish
Bundle Sheathing: PVC Covered Metal Tubing or Stainless Steel

Warning: This product is manufactured with glass fiber. Not for use in cable/hose carrier. Call SCHOTT to discuss moving cable/hose carrier applications.

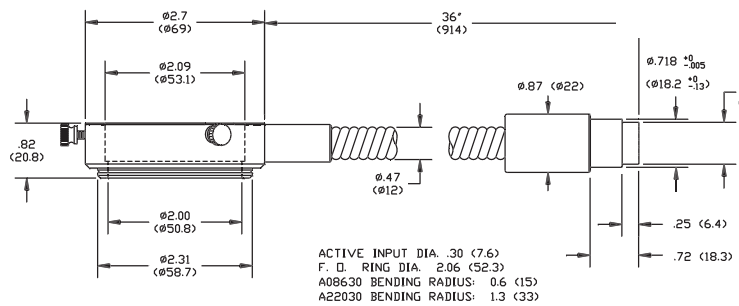


Note:
 A08650 has an active fiber dia. of .22 (5.6) for a working distance of .5 to 1.5" (13 to 38mm).
 A08660 has an active fiber dia. of .25 (6.4) for a working distance of 1.5 to 4" (38 to 102mm).
 Both have F. D. ring dia. of 1.32 (33.5).

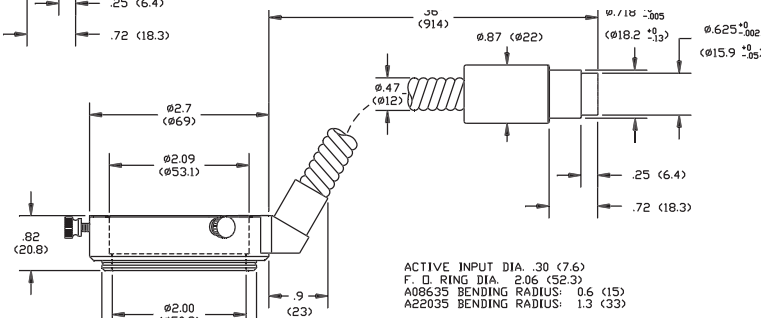
A08650 - A08660 - 19 / 32.5 mm Ringlights



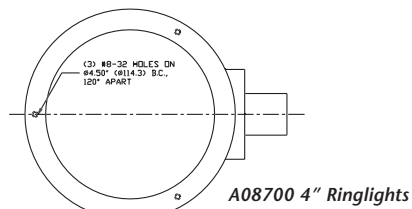
A08670 - 19 / 32.5 mm Ringlight with Vertical Exit



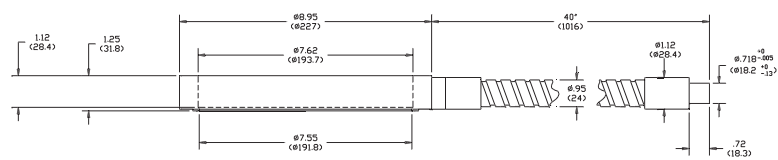
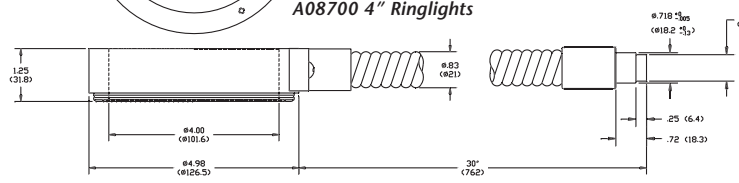
A08630 & A22030 - 38 / 53 mm Ringlights



A08635 & A22035 - 38 / 53 mm Ringlights with Vertical Exit



A08700 4" Ringlights



A08710 8" Ringlights

Lighting and Imaging
SCHOTT North America, Inc.
 122 Charlton Street
 Southbridge, MA 01550
 USA
 Phone: +1 508/765-9744
 Fax: +1 508/764-6273
 E-mail: lightingimaging@us.schott.com
 www.us.schott.com/lightingimaging

Note: A08710 - WD From 2.5" (64) BENDING RADIUS: 3.25 (83)
 A08715 - WD From 4.5" (114) BENDING RADIUS: 3.25 (83)
 Active Fiber dia. of .65 (16.5)
 F. D. ring dia. of 7.78 (197.6)

SCHOTT
 glass made of ideas