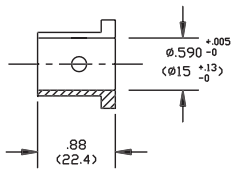
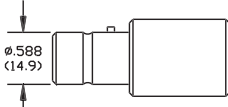
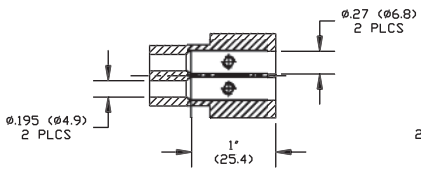
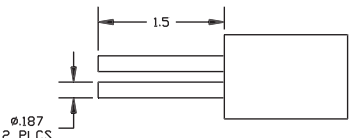
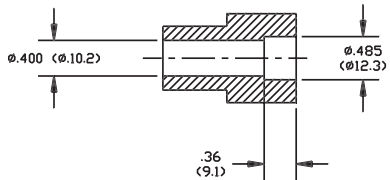
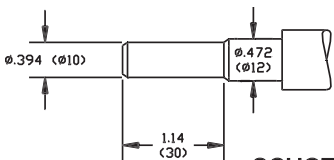


Input Adapters

For DCR® Series and ACE® Series Light Sources.

SCHOTT provides a series of adapter bushings which fit into the DCR® series and ACE® series light sources. The corresponding ferrule sizes they will accept, are shown below. The bushing attaches to the fiber bundle ferrule with a set screw. The bundle is then inserted into the light source receptacle. These adapters guarantee proper fiber bundle positioning in the focal plane of the lamp to receive the maximum light output.

Input Adapters

PartNumber	Adapter	Ferrule
A08009		 <p>Volpi</p>
A08010		 <p>SCHOTT KL Series</p>
A08013		 <p>SCHOTT KL Series</p>

Dimensions in () are in mm

Lighting and Imaging

SCHOTT North America, Inc.

122 Charlton Street

Southbridge, MA 01550

USA

Phone: +1 508/765-9744

Fax: +1 508/764-6273

E-mail: lightingimaging@us.schott.com

www.us.schott.com/lightingimaging

SCHOTT
glass made of ideas