

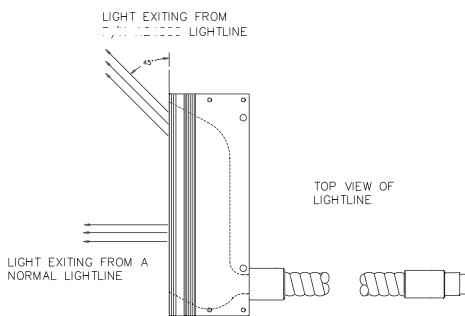
**45° Lightline**

45° Lightline

Engineered and designed to emit light at a 45° angle along the length of the line.

Features

- The output fibers are angled 30° to the nosepiece, as a result they are polished on a bias, which causes emitted light to exit at 45° to the nosepiece. The line can be positioned off-axis to the object, illuminate the field-of-view without loss of uniformity, while avoiding interference with the camera; an important consideration in space constrained systems.
- Useful for illuminating a rectangular surface area where the features are perpendicular to the line body.
- Standard input ferrule fits ColdVision Series light sources. Can also be used with strobes.
- The lightline is calibrated to ± 8 gray scales at a mean of 200 with a gamma setting of 1.0, for optimum uniformity with DDL-lamp.
- Assembly method accurately positions the fiber line within the body on all three planes, to a tolerance of $\pm .004$ ".(.102). The technique assures the fiber axis will be parallel with the mounting surface of the body.
- Rugged aluminum body with black anodized finish.
- PVC covered metal tubing protects the fiber bundle.
- Refer to section 25.02.01 for more information on uniformity of fiber optic products.
- Custom configurations can be engineered for unique requirements.
- The cylindrical and apertured lenses are adjustable and easy to attach.



45° Lightline

Part No.	Line Dimensions	Input Active Fiber Dia.	Gray Scale Uniformity [^]	Part No. for Lens	
	Length x Width			Cylindrical	Apertured
Custom	6" x .039" (152 x 1.0)	.51" (13)	± 8	Custom	Custom

45° Lightline

Dimensions in () are in mm

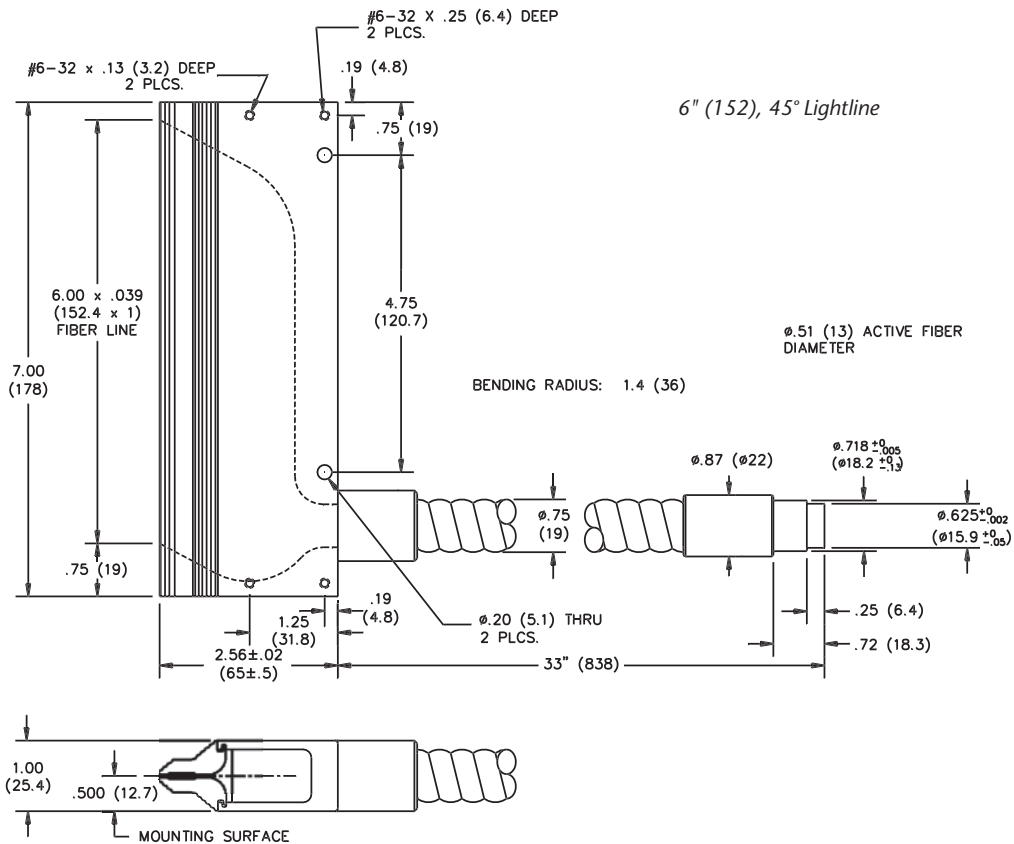
Input: Black Anodized Aluminum

Body: Black Anodized Aluminum

Sheathing: PVC Covered Metal Tubing

Product improvements may result in specification or feature changes without notice.

Warning: This product is manufactured with glass fiber. Not for use in cable/hose carrier. Call SCHOTT to discuss moving cable/hose carrier applications.



Lighting and Imaging

SCHOTT North America, Inc.

122 Charlton Street

Southbridge, MA 01550

USA

Phone: +1508/765-9744

Fax: +1508/764-6273

E-mail: lightingimaging@us.schott.com

www.us.schott.com/lightingimaging

SCHOTT
glass made of ideas