

(A) Lightline polarizer assembly, A08845,
(B) Polarizer affixed to a 5" lightline, (C) Polarizer
affixed to a cylindrical lens on a lightline

Lightline Linear Polarizer Kits

Features

- Developed for use with 3" to 16" (227 to 406 mm) lightlines to enhance contrast on highly reflective surfaces for area and line scanning applications.
- Easily mount on SCHOTT lightlines alone or with cylindrical and apertured lenses affixed to the lightline.
- The polarizer(s) should be used with an analyzer supplied by the customer. The analyzer is typically attached to the camera objective.
- Two polarizers are included in the kit; one polarizes in the horizontal axis and the other polarizes in the vertical axis.
- Custom length configurations are available. Lead time is required

Linear Polarizer Kits

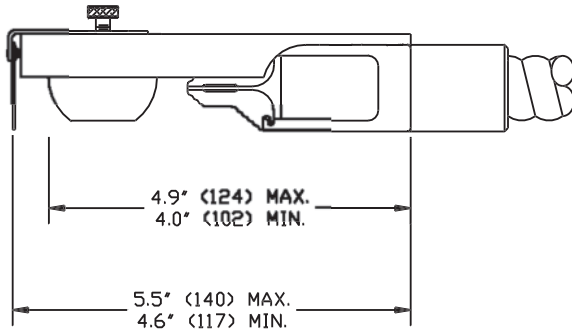
| Lightline Part No. | Polarizer Kits Part No. |
|--------------------|-------------------------|
| A08903 | Custom |
| A08904 | Custom |
| A08906 | Custom |
| A08908 | Custom |
| A08910 | Custom |
| A08912 | Custom |
| A08914 | Custom |
| A08916 | Custom |
| A08975 | Custom |

Lightline Linear Polarizer Kits

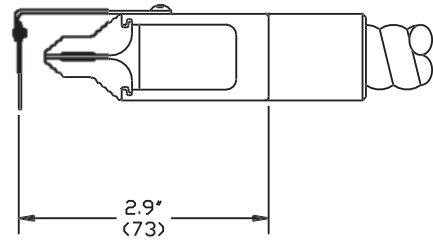
Dimensions in () are in mm

Product improvements may result in specification or feature changes without notice.

WITH LENS ASSEMBLY:



WITHOUT LENS ASSEMBLY:



A08843 - A08856
Polarizers

Lighting and Imaging

SCHOTT North America, Inc.

122 Charlton Street

Southbridge, MA 01550

USA

Phone: +1508/765-9744

Fax: +1508/764-6273

E-mail: lightingimaging@us.schott.com

www.us.schott.com/lightingimaging

SCHOTT
glass made of ideas