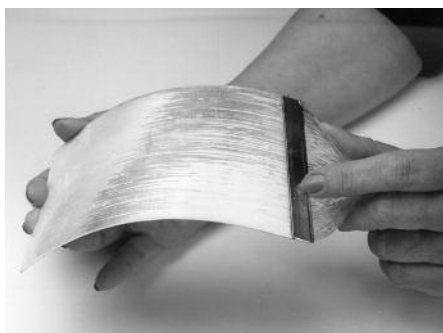


PANELite® Backlights



PANELite® Backlight with adhesive back, A23000

PANELite® Backlights

A versatile addition to the extensive line of our patented backlights

Features

- Patented process creates diffuse, uniform† illumination within the active area.
- Slim profile to fit the most restrictive space requirements.
- Same dependable performance built into three standard configurations.
- Flexible panel (A23000) can create a seamless, curved background.
- When used with a curved diffuser (customer supplied), the PANELite® backlight is ideal for multiple camera inspection of cylindrical surfaces.
- PANELite® backlight, A23000 can be trimmed to final size.
- Use with strobes and ColdVision Series light sources. Other sources, particularly those without an IR filter, may damage the plastic fibers.
- All our dichroic color filters can be used on the products in conjunction with the A08931 backlight color filter adapter. More details can also be found in the Fiber Optic Accessory section of the product catalog.
- 40" (1016)* flexible fiber bundle.
- Economical - works without a housing.
- IR filter on every unit.

†Uniformity tolerance varies with size of active area. See technical specifications on reverse side.

Special Configuration

- PANELite® backlights can be manufactured with different active areas, placement of outputs and mounting hole locations. Lead time required. Call for a custom quote.

Typical Applications

- Glass inspection
- Photography
- Edge detection
- Instrumentation display

PANELite® Backlights				
Part No.	Description	Calibrated Area	Panel Size	Overall Thickness
A23000	Flexible, adhesive back	3" x 5" (76 x 127)*	4" x 6" (102 x 152)	.05" (1.3)
A23010	Non-flexible, black anodized aluminum back	3" x 5" (76 x 127)	4.8" x 9" (122 x 229)	.09" (2.3)
A23020	Non-flexible, black anodized aluminum plate with acrylic diffuser plate	3" x 5" (76 x 127)	4.8" x 9" (122 x 229)	.5" (12.7)
Options				
A08931	Color filter adapter	Fits backlight light source adapters with .718" (18.2) diameter input size		

PANELite® Backlights

Dimensions in () are in mm

Transmits visible light - from 400nm to 700nm
Temperature limit 0° to 70°C

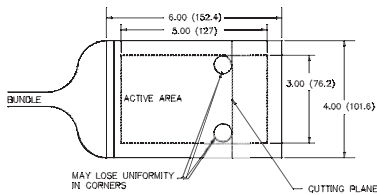
Uniformity Specification

- Area of calibration is 3"x 5" (76 x 127)
- Calibrated to ±15 gray scale levels at a mean of 200, gamma setting of 1.0
- Tested with a .118"(3mm) white acrylic plate, spaced .3" (7.6) from panel.

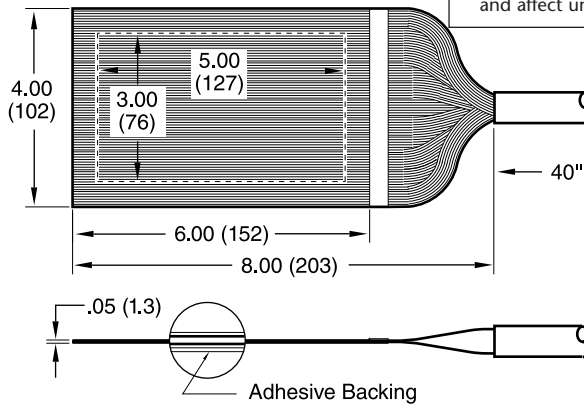
(Call manufacturer for set up specification)

Please Note: A .3" (7.62) border does not meet this specification on panels larger than 1.5" x 1.5" (38x38). Uniformity specification for custom panels smaller than 1.5" x 1.5" (38 x 38) or larger than 4" x 6" (102 x 152) will be provided with quote.

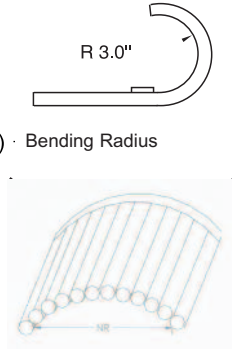
A23000 PANELite® Backlight



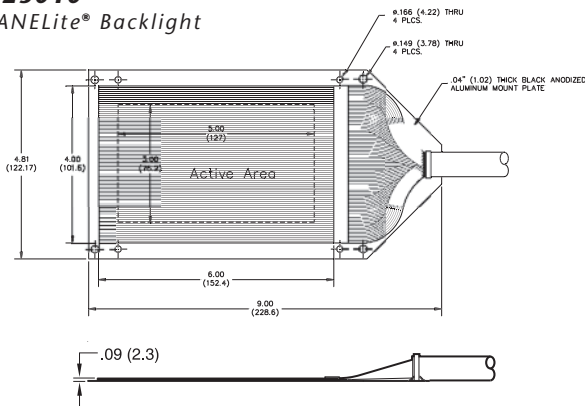
The A23000 PANELite® backlight can be trimmed in either direction with a good pair of scissors.
NOTE: Trimming affects uniformity in the corners along the trimmed edge.



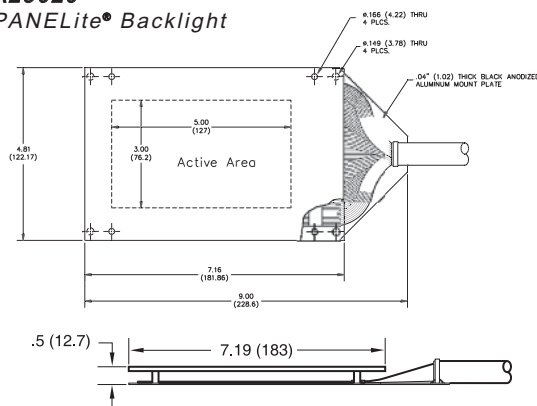
Warning: This product contains plastic fibers. To avoid fiber damage use only with **SCHOTT** or other approved light sources. Do not use input filters or diffusers without a **SCHOTT** adapter. Thermal transfer may cause damage to the fibers. All PANELite® Backlights have permanent input IR filters which must be kept clean. Clean panels with isopropanol only. OTHER SOLVENTS will damage the fiber and affect uniformity.



A23010 PANELite® Backlight

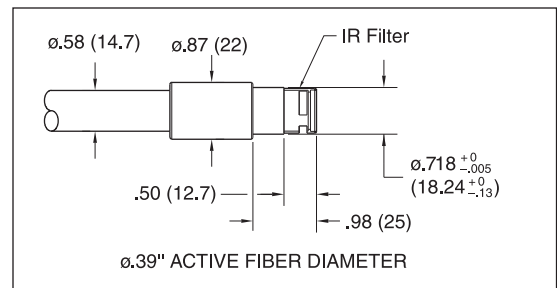


A23020 PANELite® Backlight



All standard PANELite® backlight configurations have the same input dimensions.

Lighting and Imaging
SCHOTT North America, Inc.
122 Charlton Street
Southbridge, MA 01550
USA
Phone: +1 508/765-9744
Fax: +1 508/764-6273
E-mail: lightingimaging@us.schott.com
www.us.schott.com/lightingimaging



SCHOTT
glass made of ideas