



12" Lightline, A08912



Dual Lightlines, A08975



Apertured Lens, A08806, Cylindrical Lens, A08826

## Lightlines

Uniform lines of white light for Machine Vision and Inspection applications.

### Features

- Calibrated with DDL-bulb to a specified number of gray scale levels (see chart below) at a mean of 200 with a gamma setting of 1.0 to deliver optimum uniformity. Refer to section 25.02.01 for information on uniformity of fiber optic products.
- Assembly method accurately positions the fiber line within the body on all three planes, to a tolerance of  $\pm .004"$ (0.1)<sup>†</sup>. The technique assures the fiber axis will be parallel with the mounting surface of the body.
- Fiber bundle exit locations include back-side (standard exit), back-center, and true-side.
- Standard input ferrule fits ColdVision Series light sources. Can also be used with strobes.
- Rugged aluminum body with black anodized finish.
- PVC covered metal or stainless steel tubing protect the fiber bundle.
- Lightline holders and support products available.
- Custom lengths, bundle exits, line widths, and multiple combinations (dual, quad, etc.) can be designed for your unique requirements. Lead time required.
- Cylindrical and apertured lenses are available as standard products for most lightline models. They can be custom made for all models.

### Lightlines and Lenses

Part No.	Line Dimensions Length x Width	Input Active Fiber Dia.	Gray Scale Uniformity <sup>^</sup>	P/N Lens	
				Cylindrical	Apertured
<b>Single line configuration w/30" bundle length and back-side single exit</b>					
<b>A08903</b>	3" x .040" (76 x 1.02)	.39" (10) <sup>†</sup>	± 8	<b>A08823</b>	<b>A08803</b>
<b>A08904</b>	4" x .036" (102 x .91)	.43" (11)	± 8	<b>A08824</b>	<b>A08804</b>
<b>A08905</b>	5" x .040" (127 x 1.02)	.51" (13)	± 8	<b>A08825</b>	<b>A08805</b>
<b>A08906</b>	6" x .033" (152 x .84)	.51" (13)	± 8	<b>A08826</b>	<b>A08806</b>
<b>A08907*</b>	7" x .029" (178 x .74)	.51" (13)	± 8	<b>Custom</b>	<b>Custom</b>
<b>A08908</b>	8" x .025" (203 x .64)	.51" (13)	± 8	<b>A08828</b>	<b>A08808</b>
<b>A08909*</b>	9" x .022" (229 x .56)	.51" (13)	± 8	<b>Custom</b>	<b>Custom</b>
<b>A08910</b>	10" x .020" (254 x .51)	.51" (13)	± 8	<b>A08830</b>	<b>A08810</b>
<b>A08911*</b>	11" x .018" (279 x .46)	.51" (13)	± 8	<b>Custom</b>	<b>Custom</b>
<b>A08912</b>	12" x .016" (305 x .41)	.51" (13)	± 8	<b>A08832</b>	<b>A08812</b>
<b>A08913*</b>	13" x .015" (330 x .38)	.51" (13)	± 10	<b>Custom</b>	<b>Custom</b>
<b>A08914*</b>	14" x .014" (356 x .36)	.51*(13)	± 10	<b>Custom</b>	<b>Custom</b>
<b>A08915*</b>	15" x .013" (381 x .33)	.51" (13)	± 10	<b>Custom</b>	<b>Custom</b>
<b>A08916</b>	16" x .012" (406 x .30)	.51" (13)	± 10	<b>A08836</b>	<b>A08816</b>
<b>Dual line configuration w/true-side bundle exit (see photo above)</b>					
<b>A08975</b>	6" x .022" (152 x .56)	.58" (16)	± 8	<b>A08826</b>	<b>A08806</b>

\* Items are made to order, and may require additional 3-4 weeks delivery. ^ Gamma setting of 1.0

<sup>†</sup>Dimensions in ( ) are in mm

# Lightlines

Dimensions in ( ) are in mm

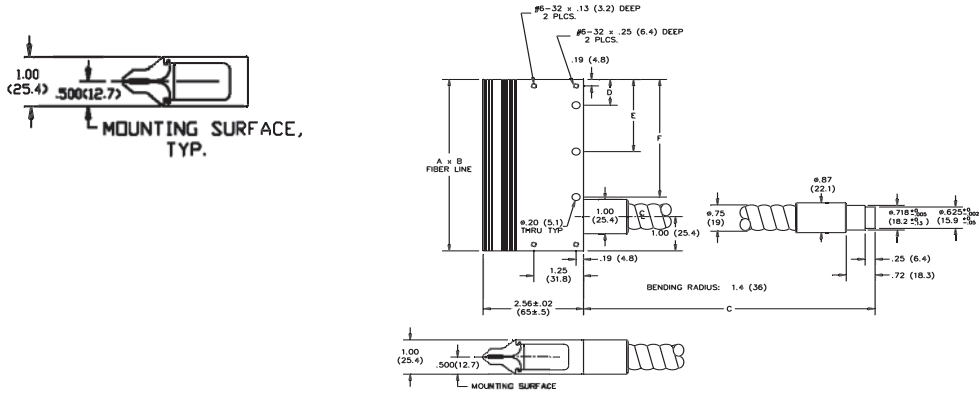
**Input:** Black Anodized Aluminum

**Body:** Black Anodized Aluminum

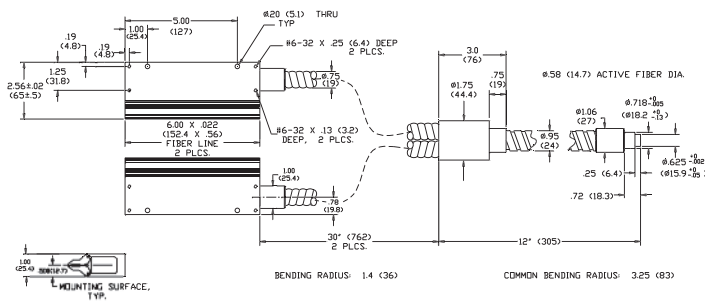
**Sheathing:** PVC Covered Metal Tubing

Product improvements may result in specification or feature changes without notice.

**Warning:** This product is manufactured with glass fiber. Not for use in cable/hose carrier. Call SCHOTT to discuss moving cable/hose carrier applications.



**A08903 – A08916**  
Lightlines



**A08975**  
Dual Lightline

**Matrix for A08903 - A08916 Lightline Drawing**

Part No.	A	B	C	D	E	F
<b>A08903</b>	3" (76)	.040" (1.0)	30" (762)	.75" (19.1)	1.5" (39)	n/a
<b>A08904</b>	4" (102)	.036" (.91)	30" (762)	.75" (19.1)	2.5" (64)	n/a
<b>A08905</b>	5" (127)	.040" (1.02)	30" (762)	.75" (19.1)	3.5" (89)	n/a
<b>A08906</b>	6" (152)	.033" (.84)	30" (762)	.75" (19.1)	4.5" (114)	n/a
<b>A08907</b>	7" (178)	.029" (.74)	30" (762)	.75" (19.1)	5.5" (140)	n/a
<b>A08908</b>	8" (203)	.025" (.64)	30" (762)	.75" (19.1)	6.5" (165)	n/a
<b>A08909</b>	9" (229)	.022" (.56)	30" (762)	.75" (19.1)	7.5" (191)	n/a
<b>A08910</b>	10" (254)	.020" (.51)	30" (762)	.75" (19.1)	8.5" (216)	n/a
<b>A08911</b>	11" (279)	.018" (.46)	30" (762)	.75" (19.1)	9.5" (241)	n/a
<b>A08912</b>	12" (305)	.016" (.41)	30" (762)	.75" (19.1)	10.5" (267)	n/a
<b>A08913</b>	13" (330)	.015" (.38)	30" (762)	.75" (19.1)	6.13" (156)	11.5" (292)
<b>Custom</b>	14" (336)	.014" (.38)	30" (762)	.75" (19.1)	6.63" (168)	12.5" (316)
<b>A08915</b>	15" (381)	.013" (.33)	30" (762)	.75" (19.1)	7.13" (181)	13.5" (343)
<b>A08916</b>	16" (406)	.012" (.30)	30" (762)	.75" (19.1)	7.63" (194)	14.5" (368)

Lighting and Imaging

**SCHOTT North America, Inc.**

122 Charlton Street

Southbridge, MA 01550

USA

Phone: +1508/765-9744

Fax: +1508/764-6273

E-mail: [lightingimaging@us.schott.com](mailto:lightingimaging@us.schott.com)

[www.us.schott.com/lightingimaging](http://www.us.schott.com/lightingimaging)

**SCHOTT**  
glass made of ideas