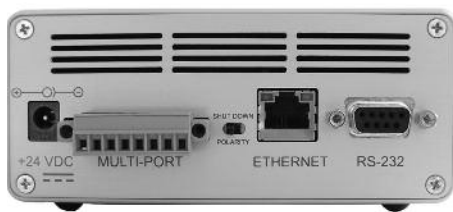




LLS - LLS Light Source, A20960

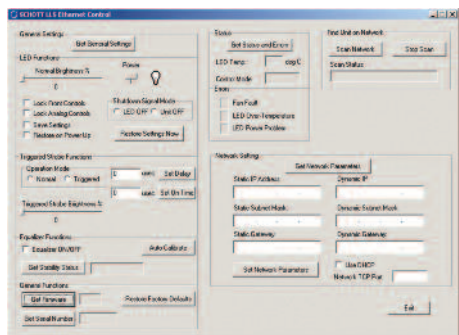


LLS - LLS Light Source, A20960. Rear View shows (from left to right): universal power input, multi-port input, Ethernet input, RS-232 input

Hybrid Solution Pairs LEDs with Fiber Optics

The LLS offers users 4 different modes of control interfaces - a continuous intensity control knob, Ethernet, RS-232 or analog 0-5 Volt.

The auto-sensing inputs eliminate the need to switch manually between the modes. The unit also features a user control lock-out via the Ethernet and RS-232 SCHOTT supplied software.



Screen shot of the supplied Ethernet software

LLS - LED Light Source

Longer Life, Lower Energy Consumption, Higher Performance

Standard Features

- Long life-time (50,000 hours)
- Fits all COLDVision light guides
- Fast triggered strobe capabilities (maximum 1 kHz pulse rate, maximum pulse width 1 msec, duty 1/10)
- Internal light feedback provides stabilized light output for the most demanding machine vision applications
- Low power consumption (less than 25 watts)
- Improved immunity to vibration and shock
- Small footprint and worldwide universally compatible power supply with interchangeable plugs
- RoHS compliant
- CE Approved

Characteristics

Dimensions	Length 197 mm (7.75 in) Width 129 mm (5.08 in) Height 63 mm (2.48 in)
Weight	862 grms (1.9 lbs)
Operating Temperature	5° C (41° F) to 40° C (104° F)
Color Temperature - White	6000K

SCHOTT LLS Technical Information

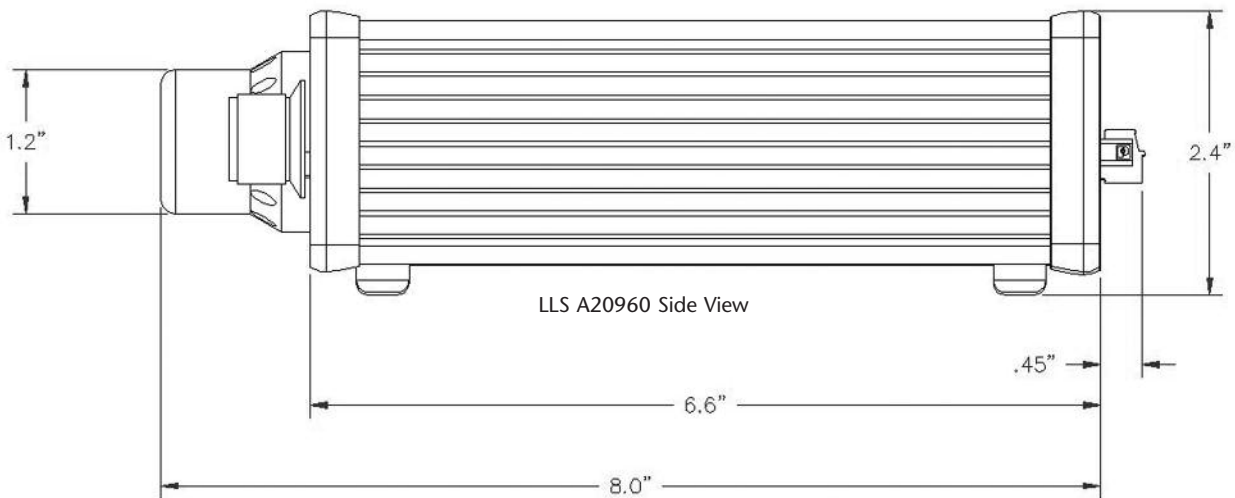
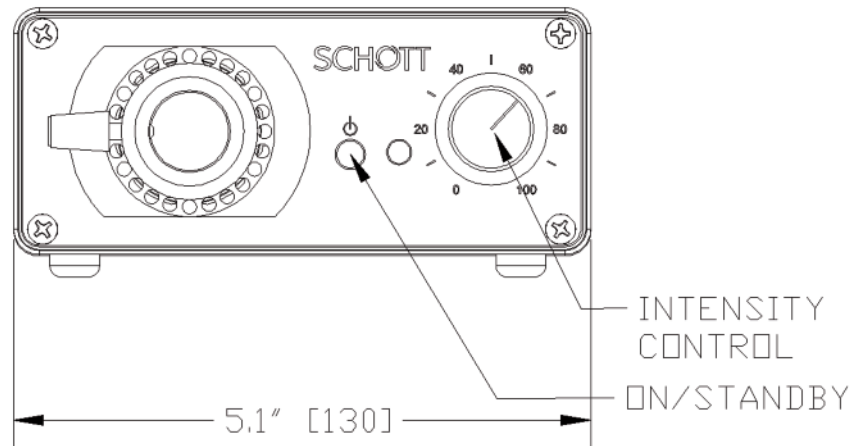
Part No.	Color	Wavelength (nm) (+/- bandwidth 20 nm)	Light Output
A20960	Red	625	120 lm
A20960.1	White	---	275 lm
A20960.2	Green	525	100 lm
A20960.4	Blue	470	40 lm
A20955	Mounting Bracket		

LLS - LED Light Source

Dimensions in () are in mm

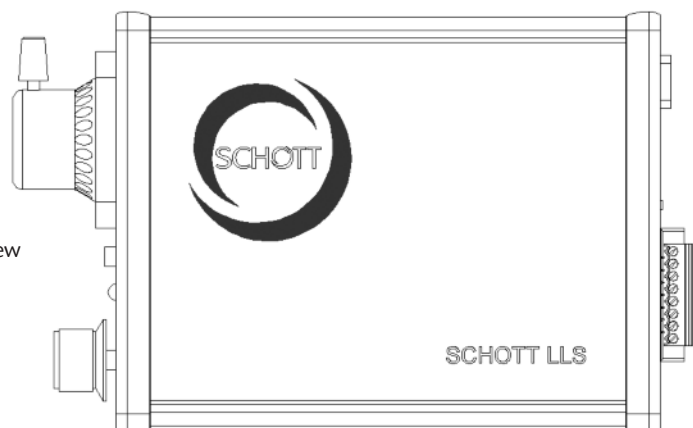
Product improvements may result in specification or feature changes without notice.

LLS A20960 Front View



LLS A20960 Side View

LLS A20960 Top View



Lighting and Imaging
SCHOTT North America, Inc.
122 Charlton Street
Southbridge, MA 01550
USA
Phone: +1508/765-9744
Fax: +1508/764-6273
E-mail: lightingimaging@us.schott.com
www.us.schott.com/lightingimaging

SCHOTT
glass made of ideas