



6-point ringlight 58 mm

## 6-Point Ringlights

### Features

- Six illumination spots designed within housing.
- Mounts directly to objective by means of thumb screw.
- Housing made of rugged, black anodized aluminium.
- Fiber bundle protected with flexible metal PVC sheathing.
- Manufactured in the EU.

### Benefits

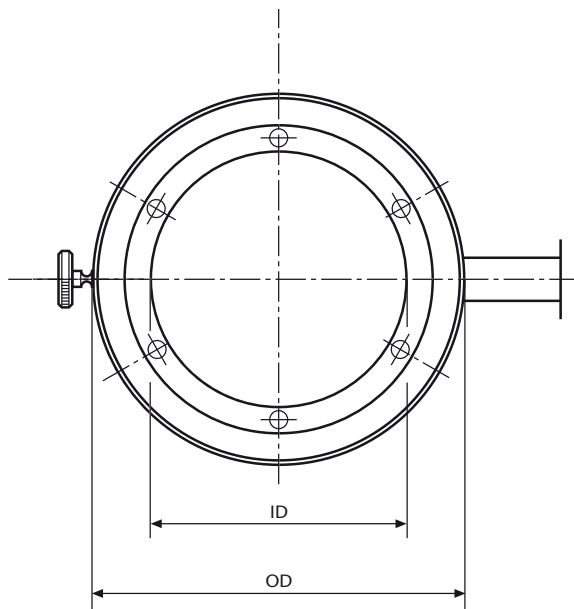
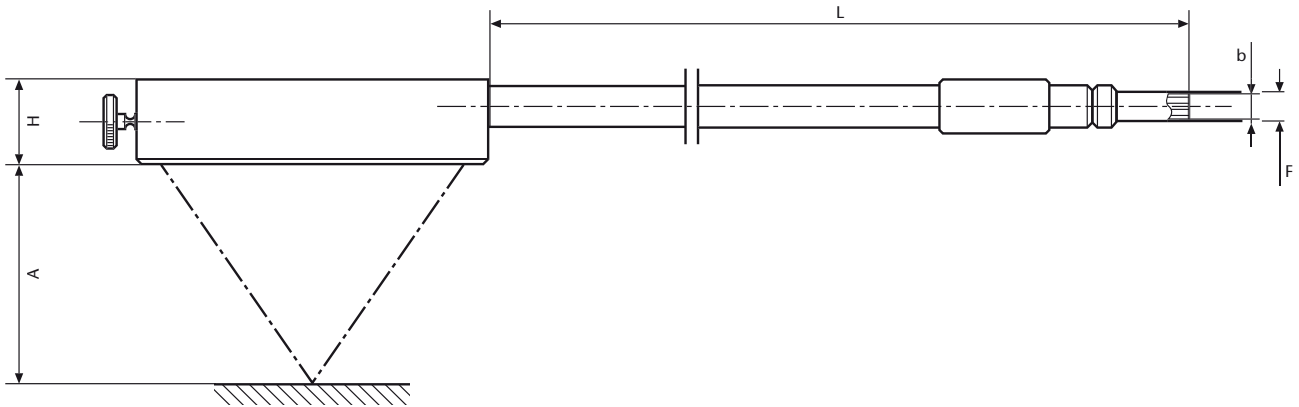
- Cost effective in comparison to annular ringlights
- Illumination with reduced shadows, but still sufficient shadows for improved contrasts.

6-Point Ringlights										
Cold light source	Part-No.	Type	Length	Inner Ø	Outer Ø	Height	Minimum working distance*	Active Ø/ branch	Outer Ø Jacketing	Light source adapter Ø
			L	ID	OD	H	A	b	D	F
KL 200 KL 200 LED	172 501	58 mm Ø	1000 mm 39.37 inch	58 mm 2.28 inch	86 mm 3.39 inch	23 mm 0.91 inch	30 mm 1.18 inch	6 mm 0.24 inch	10.8 mm 0.43 inch	9 mm 0.35 inch
	172 601	66 mm Ø	1000 mm 39.37 inch	66 mm 2.60 inch	94 mm 3.70 inch	23 mm 0.91 inch	37 mm 1.46 inch	6 mm 0.24 inch	10.8 mm 0.43 inch	9 mm 0.35 inch

\* Ringlights usable in any working distance above given minimum values.

Product improvements may result in specification or feature changes without notice.

## 6-Point Ringlights



Lighting and Imaging  
**SCHOTT North America, Inc.**  
122 Charlton Street  
Southbridge, MA 01550-1960  
USA

Phone: +1 508/765-9744  
Fax: +1 508/764-6273  
lightingimaging@us.schott.com  
www.us.schott.com/lightingimaging

For your local sales contact please visit  
[www.us.schott.com/lightingimaging](http://www.us.schott.com/lightingimaging)

**SCHOTT**  
glass made of ideas