



Ringlight



Transmitted Light Stage



Spot Illuminator

EasyLED Systems

Ergonomic and compact illumination systems for stereo microscopy and macroscopy

Using the most current technologies, the EasyLED product line integrated high brightness LEDs with controller electronics into the head of the illuminator. This integration combines easy, ergonomic operation with outstanding price performance ratio.

Due to neutral white LEDs (5600 K), images of excellent color fidelity can be achieved.

Robust metal housings and well designed heat sinks make maximum brightness and long lifetime of 50,000 hours possible.

Features

- No separate controller box for ringlight and backlight. Compact controller box for single and double spotlight.
- Ringlight Plus version available with basic segment features and segment rotation. Easy and intuitive operation via integrated "jog dial" wheel.
- Ergonomic operating (not necessary to remove eyes from the eyepieces).
- Continuous dimming from 0 to 100%.
- All devices are separately dimmable.
- Wide input range power supply (100-240 V).
- World wide plug (clip system).
- Low costs for high quality and functionality.
- Manufactured in the EU.

Basic segment features of Ringlight Plus



Full-circle mode



Semi-circle mode



Quarter-circle mode



Two quarter-circle mode

Light Heads*					
Description	Part-No.	Free working distance (FWD)	Max. illuminance	AdaptionØ	Power supply
Ringlight System	600 200	55 - 135 mm (2.17" - 5.31")	90 klx (at 75 mm FWD)	66 mm (2.60")	12 V, DC
Ringlight Plus System	600 300	50 - 130 mm (1.97" - 5.12")	140 klx (at 65 mm FWD)	66 mm (2.60")	12 V, DC
		Illuminated area	Max. luminance	AdaptionØ	
Transmitted Light Stage	600 400	50 mm (1.97")	12,000 cd/m ²	84 mm (3.31")	12 V, DC
		Front lens	Max. light flux	Adaption thread	
Spotlight System	600 100	17 mm (0.67")	40 lm	M6	5 V, DC
Double Spotlight System	600 120	2 x 17 mm (0.67")	2 x 40 lm	2 x M6	5 V, DC

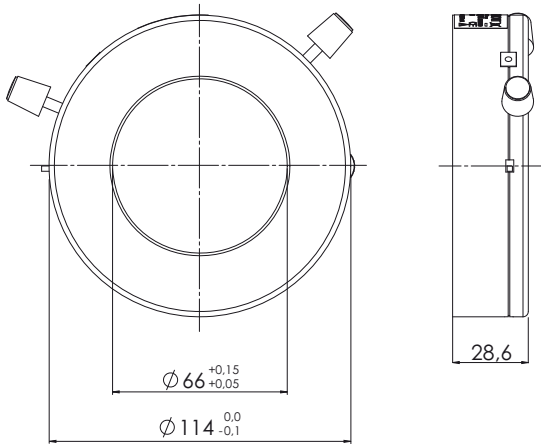
* All power supplies have CE, UL and PSE certification.

Adaptors for Transmitted Light Stage	
Ø 84 mm to Ø 100 mm	157 600
Ø 84 mm to Ø 120 mm	157 610
Ø 84 mm to Ø 180 mm	157 620
Ø 84 mm to Ø 90 mm	157 630

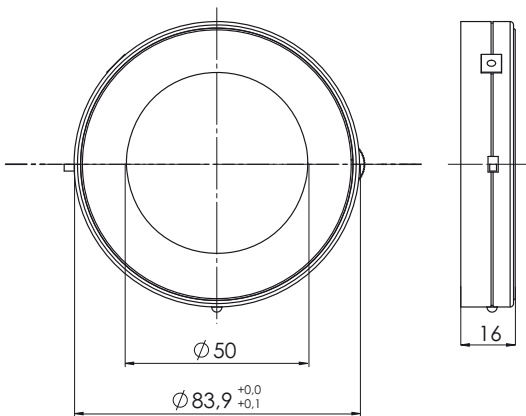
Objective Adaptors for Ringlights	
Ø 58 mm to Ø 66 mm	157 450
Ø 60 mm to Ø 66 mm	157 452
M48x0.75 to Ø 66 mm	157 454
M55x0.75 to Ø 66 mm	157 456

Product improvements may result in specification or feature changes without notice.

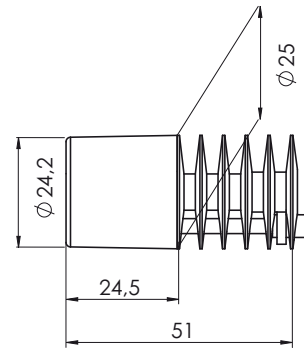
EasyLED Lightheads



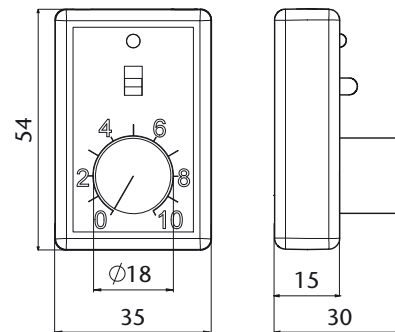
EasyLED Ringlight/Ringlight Plus



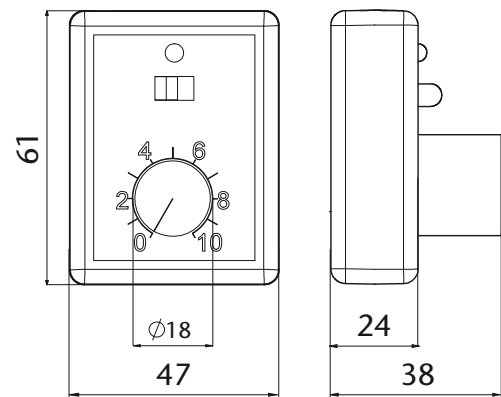
EasyLED Transmitted Light Stage



EasyLED Spot



EasyLED Spot Controller



EasyLED Double Spot Controller

Lighting and Imaging
SCHOTT North America, Inc.
 122 Charlton Street
 Southbridge, MA 01550-1960
 USA

Phone: +1 508/765-9744
 Fax: +1 508/764-6273
lightingimaging@us.schott.com
www.us.schott.com/lightingimaging

For your local sales contact please visit
www.us.schott.com/lightingimaging

SCHOTT
 glass made of ideas