

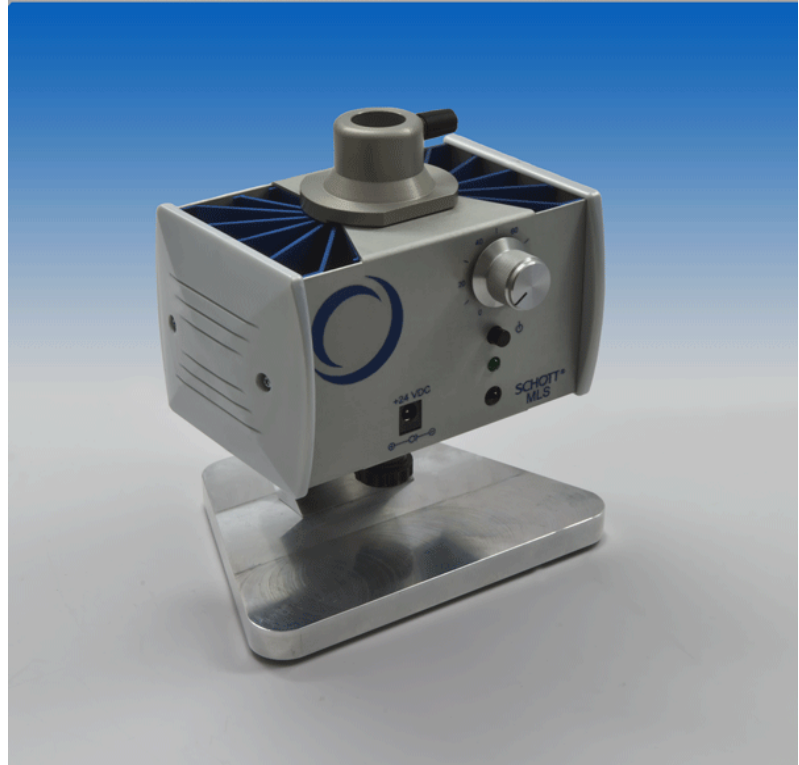
NEW!
Designed for manual
inspection applications!

MLS – Microscopy LED Light Source

Longer Life, Lower Energy Consumption, Higher Performance, Compact Design

The SCHOTT MLS offers several advantages over other types of fiber optic light sources used in microscopy & static machine vision applications, including:

- Long-life of LED light engine
- Fan-less, vibration free operation
- Fits all COLDVision light guides
- Stable light output with minimal variation in color temperature
- Low power consumption (~18 watts)
- Small footprint and world-wide, universally compatible power supply with interchangeable plugs
- Optional light On/Off control via handheld remote or footswitch. Handheld remote also controls light output intensity.
- Mounting Options (sold separately):
 - Pedestal Mount
 - Post Mounts
- Temperature monitoring for protection of the LED light engine
- RoHS Compliant & CE Approved. ESD outlet connection.



Characteristics

Dimensions	Length: 102 mm (4 in) Width: 140 mm (5.5 in) Height : 117 mm (4.6 in)
Weight	0.8 kg (1.7 lbs)
Operating Temperature	5° C (41° F) to 40° C (104° F)
Color Temperature – White & Warm White	6000 K / 3100 K
Power Consumption	~ 18 Watts

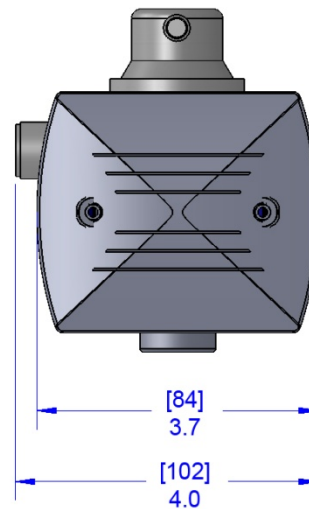
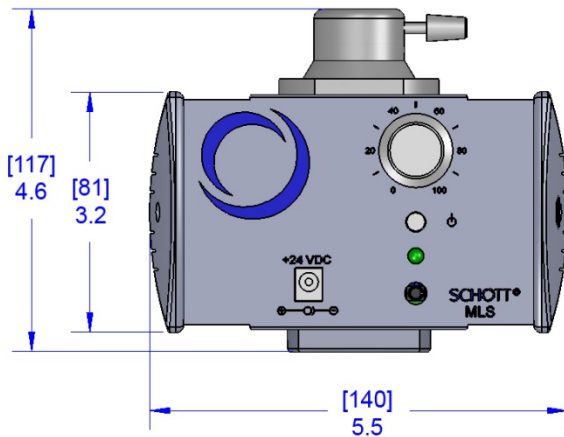
SCHOTT
glass made of ideas

SCHOTT MLS Technical Information

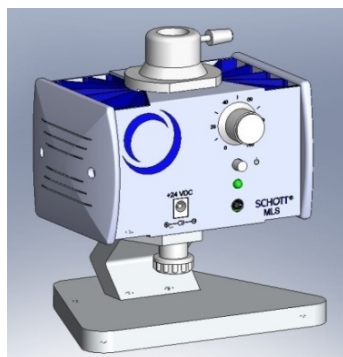
Part Number	Color	Light Output*
A20400/6000	White – 6000 K	300 lm
A20400/3100	Warm White – 3100 K	200 lm
A20410	Handheld Remote (On/Off, pulse, intensity control)	
A20411	Remote Footswitch (On/Off)	
A20420	Pedestal Mount	

*Light output specifications are measured with a 1 m long, 13 mm diameter bundle (A08051.40 bundle).
The light output specification is the typical output and actual output may vary.

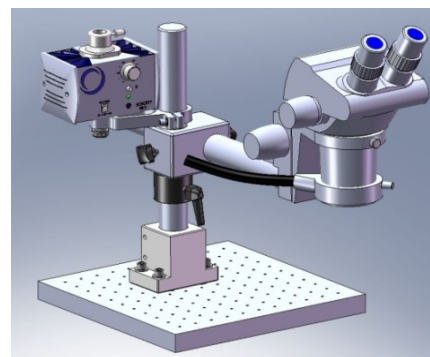
Dimensions in inches and [mm]



Mounting Options



Pedestal Mount



Adapter & KL200 LED Boom Stand Bracket

For more information please contact:

MORITEX U.S.A., Inc.
6862 Santa Teresa Blvd.
San Jose, CA 95119
U.S.A.

Phone: +1 (408) 363-2100
Toll Free: +1 (877) 261-2100
sales@moritexusa.com
www.moritexusa.com

All specifications are subject to change without prior notice. This datasheet or any extracts thereof may only be used in other publications with express permission of SCHOTT or MORITEX.

© SCHOTT North America, Inc.

SCHOTT
glass made of ideas