



VisiLED controller MC750

Mechanical Specifications	
Dimensions:	73.5 mm x 110 mm x 40 mm (2.9" x 4.3" x 1.58")
Connectors on backside:	- 21V DC Connector - 1 Lighthead Connector



VisiLED controller MC1000

Mechanical Specifications	
Dimensions:	90 mm x 152 mm x 25 mm (3.54" x 5.98" x 0.98")
Connectors on backside:	- 21V DC Connector - 1 Lighthead Connector - ESD plug



VisiLED controller MC1500

Mechanical Specifications	
Dimensions:	153 mm x 110 mm x 40 mm (6" x 4.3" x 1.58")
Connectors on backside:	- 21V DC Connector - RS232 Interface - 2 Lighthead Connectors - 1 Footswitch - 1 Flash

Controllers and Power Supplies for VisiLED Series

VisiLED controller MC750

For lower contrasting requirements

Features

- Continuous dimming via potentiometer.

VisiLED controller MC1000

The compact and ergonomic one

Features

- Easy to use.
- 4 present segment modes.
- Rotation to both directions.
- Continuous dimming via potentiometer.

VisiLED controller MC1500

The intelligent multifunction center

Features

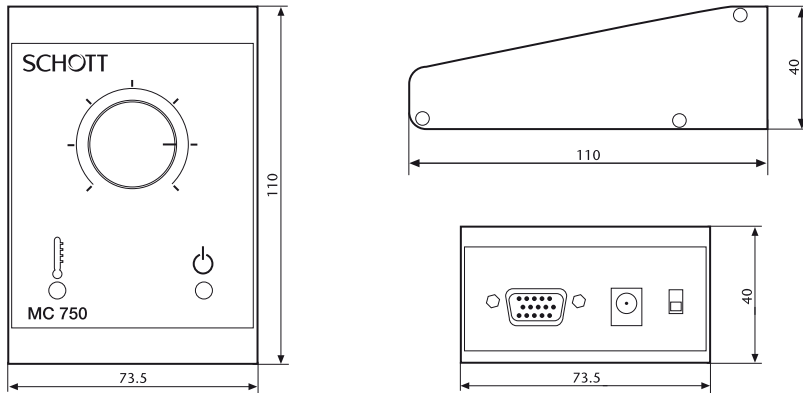
- 5 preset segment modes plus rotation for optimum contrasting.
- Smooth dimming with overdrive position.
- 4 memory positions to save custom lighting modes.
- External Trigger: to start single strobe.
- Flash mode: to overdrive continuous set intensity with a short flash for taking photographs.
- Strobe mode: to utilize internal strobefunction with frequencies between 15 Hz–5 KHz.
- RS 232 Computer interface (USB 1.1 optional) to set parameters via computer.
- Foot switch between memory positions (optional).
- Manufactured in the EU.

Controllers and Power Supplies

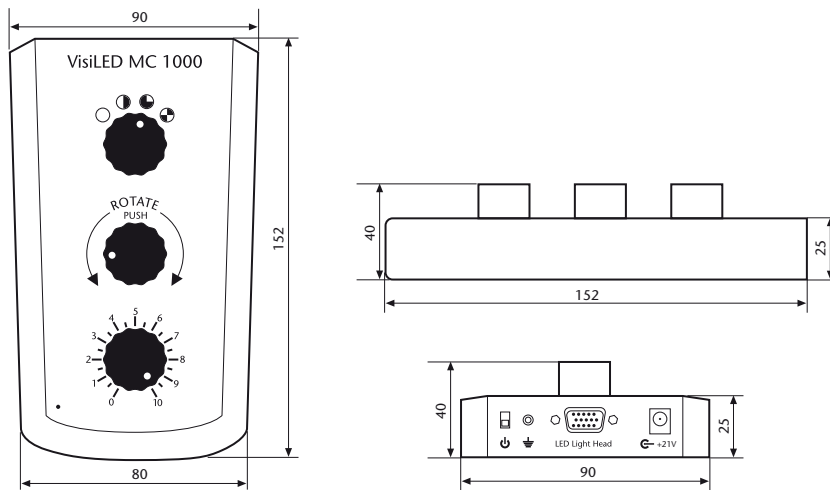
Description	Part No.
MC750 controller	400 010
MC1000 controller	400 040
MC1500 controller	400 000
Power Supplies	
Input 100–240V AC, 50/60 Hz; Output 21V DC/1,92A, UL certification and CE	400 050
IEC cord with European Plug	400 051
IEC cord with US Plug	400 052
IEC cord with UK Plug	400 053
IEC cord with Swiss Plug	400 054

Product improvements may result in specification or feature changes without notice.

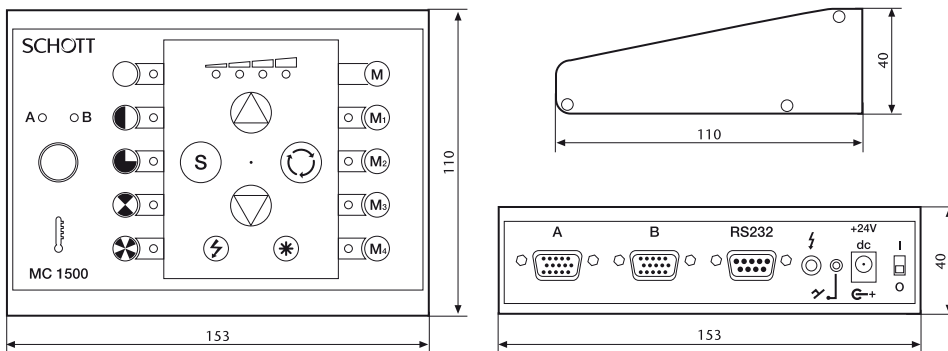
Controllers and Power Supplies for VisiLEDs MC Series



VisiLED controller MC750



VisiLED controller MC1000



VisiLED controller MC1500

Lighting and Imaging
SCHOTT North America, Inc.
 122 Charlton Street
 Southbridge, MA 01550-1960
 USA

Phone: +1 508/765-9744
 Fax: +1 508/764-6273
 lightingimaging@us.schott.com
 www.us.schott.com/lightingimaging

SCHOTT
 glass made of ideas

For your local sales contact please visit
www.us.schott.com/lightingimaging