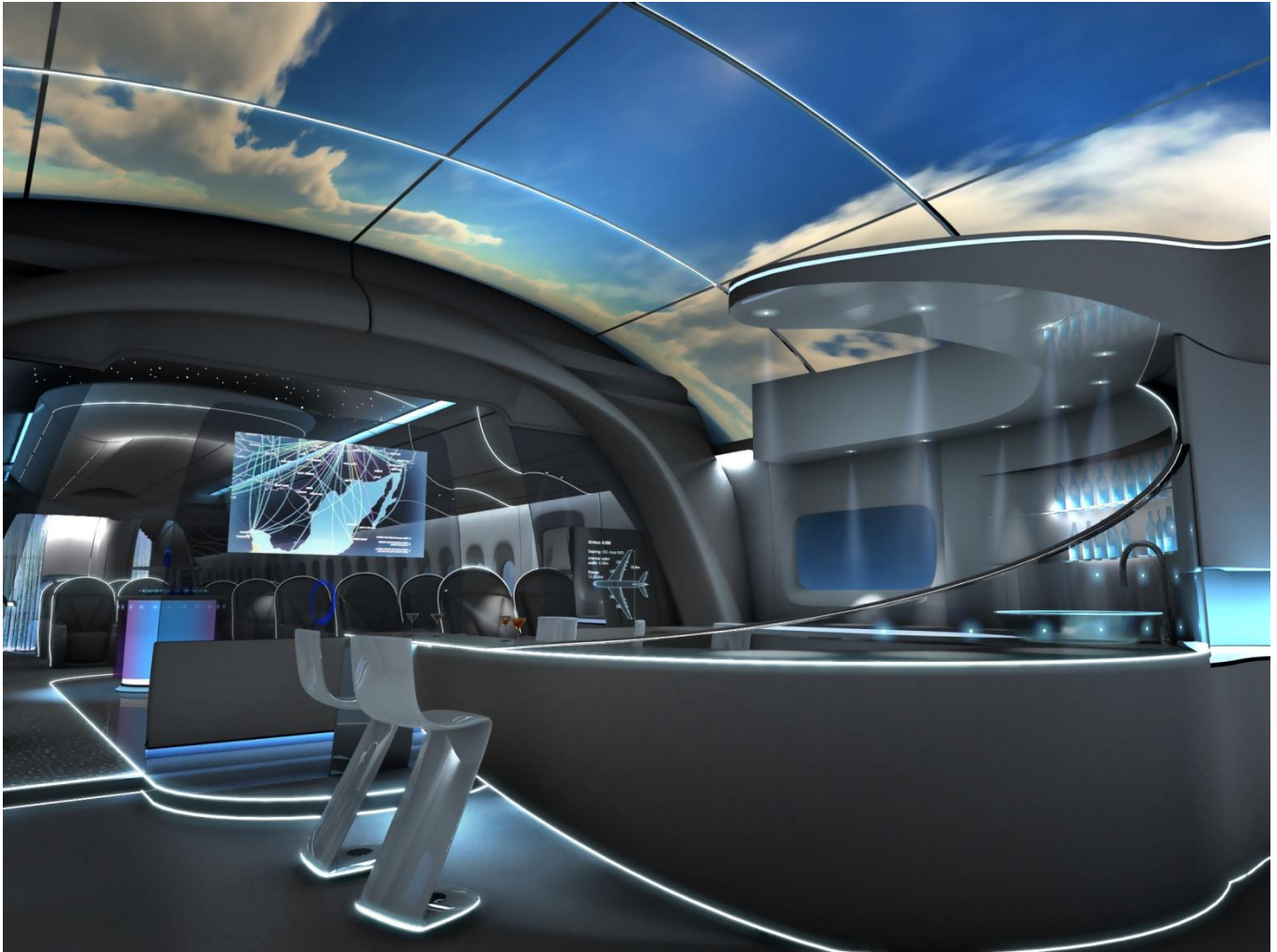


SCHOTT® HeliolIntense

Strong and efficient LED light source



Product Characteristics

The SCHOTT® HeliolIntense light source is an efficient and very strong LED light source that was developed specifically to combine SCHOTT's expertise in fiber optics with LED technology to provide customized and ultimate cabin lighting.

Compared to the SCHOTT® HeliolBasic II, it can be controlled in different ways, what makes it suitable for any customer demand.

The SCHOTT® HeliolIntense technology can either be used as LED light source or LED spot.

SCHOTT® HeliIntense

Strong and efficient LED light source

Technical Specifications

Power input	12 – 28 VDC, 28 VDC board voltage
Power consumption	max. 4,5 W
Control	<ul style="list-style-type: none"> • External switch • RS485 • CAN (on request)
Control features	On / Off / Dimming
Color	Standard: white (other single colors possible)
Adress selection	Daisy chain concept
Max. weight	200g

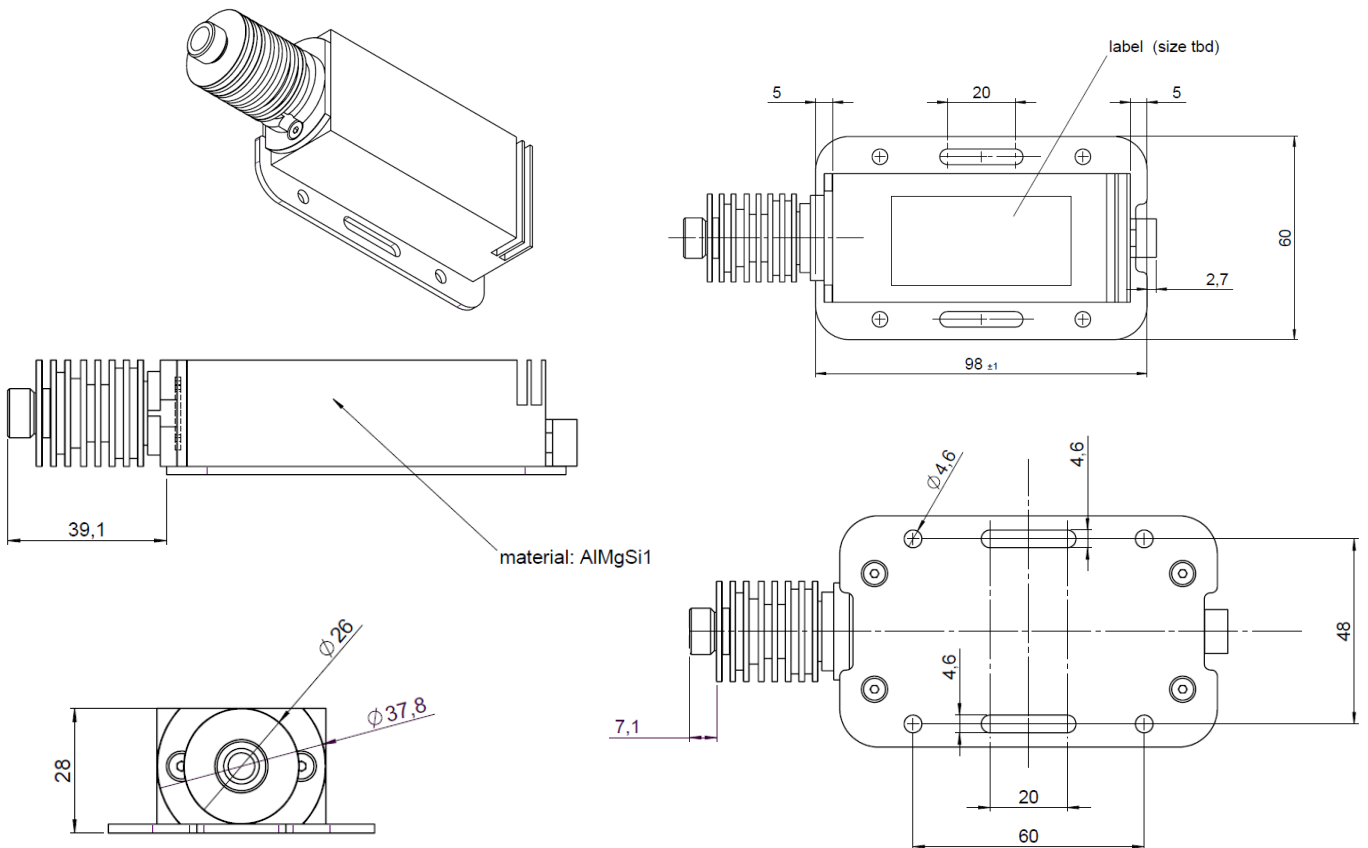
Recommended Applications

Various spots in seats or monuments realized with one light source and SCHOTT® HeliFlex

Flat and slim shell mounted Reading Lights

Functional cabin lighting realized as spot or line lights

Homogeneous Moodlighting realized with Schott® HeliLine



All specifications are subject to change without prior notice. This datasheet or any extracts thereof may only be used in other publications with express permission of SCHOTT. © SCHOTT North America, Inc.

Aviation
SCHOTT North America, Inc.
 122 Charlton Street
 Southbridge, MA 01550
 USA
 Phone: +1 508/7653235
 Fax: +1 508/7647361
 info.aviation@us.schott.com
 www.us.schott.com/aviation

SCHOTT
 glass made of ideas