

SCHOTT Premium Reading Light

SCHOTT Phoenix – outstanding design for In-Seat Reading Light solutions



Product characteristics

Classy design

Premium materials & finish

Backlighting switch

Highly defined cone of light

Single high brightness LED

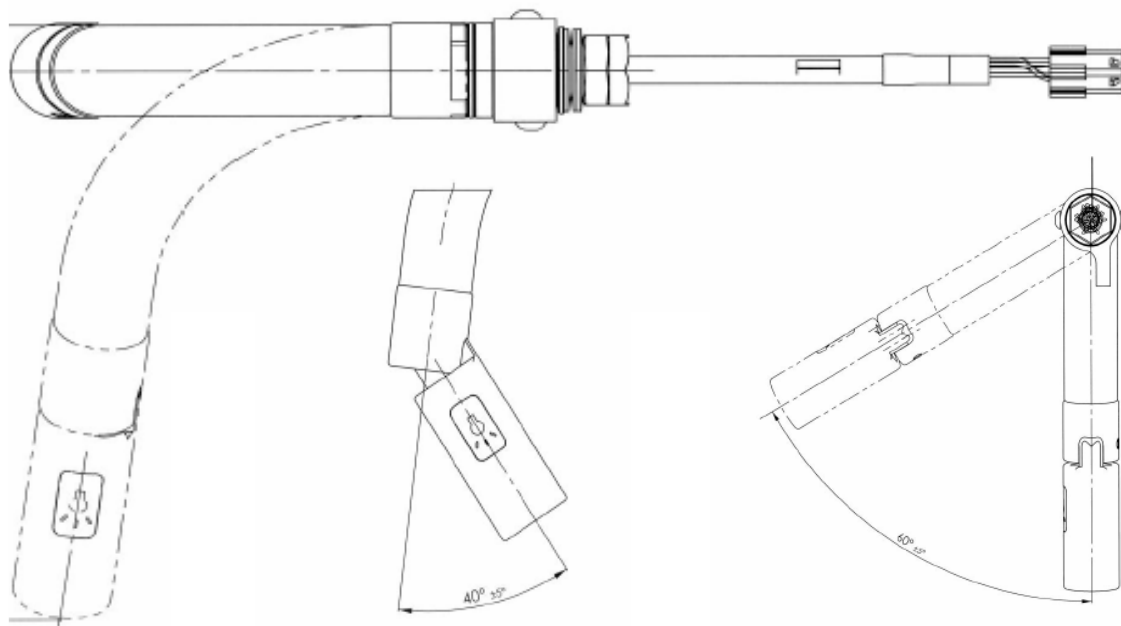
Dimmable

Light head adjustable in a wide range

Qualification in preparation for all AIRBUS and BOEING Aircraft.

SCHOTT
glass made of ideas

Product Specifications	
Max. weight	200 g
Power Supply	5 V DC +/- 10%
Total current at full on	Max. 100 mA
Power Consumption: full power quiescent	0,6 W max 0,1 W max
Typical axial illuminance	Max. 350 lx Min. 150 lx (illuminance measured in the center of the light cone at a distance of 410 mm)
Color temperature	5900 k +/- 700 k



For more information please contact:

Aviation
 SCHOTT AG
 Otto-Schott-Str. 2
 55127 Mainz
 Germany
 Phone: +49 (0)6131/660
 Fax: +49 (0)6131/667850
 E-mail: info.aviation@schott.com
www.schott.com/aviation

SCHOTT
 glass made of ideas