

# SCHOTT® HelioLine

High-quality Aviation approved side-emitting glass fiber cable



SCHOTT® HelioLine



SCHOTT® HelioLine

## Product Characteristics

SCHOTT® HelioLine sidelight components are side-emitting optical fibers that were developed to answer the high demand for mood- and ambient lighting in aircraft cabins. SCHOTT® HelioLine sidelight components offer a huge number of outstanding user benefits for line light applications including:

## Product Advantages

Excellent color characteristics

High light output and homogeneity in combination with SCHOTT® HelioBasic II, HeliIntense or HeliPower light sources

Very limited space depth

Non-electrical light emitters

Perfect fluid resistance

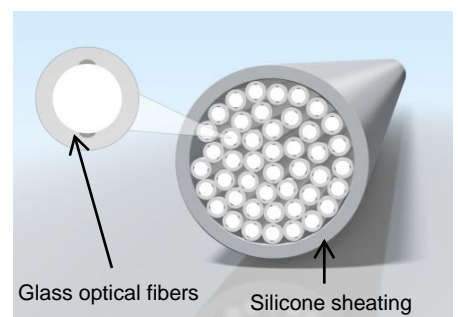
Excellent flexibility resulting in extreme small bending radii for more design freedom

Unrivalled lifetime

## Applications

Mood lighting and ambient illumination in aircraft cabin:

- Toe-Kick areas
- Table & monument edges
- Seat contours
- Steps of staircase
- Handrails



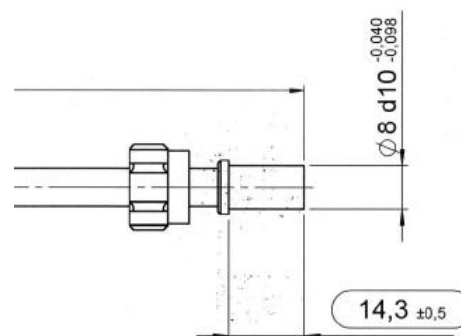
SCHOTT® HelioLine is a side-emitting cable with a silicone sheathing.

**SCHOTT**  
glass made of ideas

Technical Specifications		
<b>SCHOTT Part number</b>	1470754	1470763
<b>Active bundle diameter</b>	Ø 2.0 ± 0.1 mm	Ø 3.0 ± 0.1 mm
<b>Cable diameter</b>	Ø 3.85 ± 0.15 mm	Ø 4.85 ± 0.2 mm
<b>Bending radius</b>	> 10 mm	> 15 mm
<b>Weight Cable</b>	17 g/m	30 g/m
<b>Typ. Weight Ferrules (Depending on design)</b>	10 g / light outlet ferrule 15 g / ferrule common end	
<b>No. of glass fibers</b>	approx. 670	approx. 1530
<b>Fiber diameter</b>	70 µm	70 µm
<b>Fiber breakage</b>	Max. 5 per meter allowed, no conglomerates allowed	
<b>Cable material</b>	Silicon	
<b>Cable color</b>	White translucent	
<b>Mounting and cleaning</b>	No tensile stress or high pressure allowed	
<b>Flammability</b>	Bunsen burner test 60°-30s acc. FAR/JAR/CS25, App. F, Part I & AITM	
<b>Smoke density</b>	Acc. to JAR/FAR/CS25, App. F, Part V & AITM 2.0007 / 2.0008B	
<b>Toxic Components</b>	Acc. to ABD0031 & AITM 3.0005	
<b>Fluids Susceptibility</b>	According to RCTA DO-160F:Coffee, Soda, Alcoholic drinks, Isopropyl alcohol, Callington one shot (AMS1450)	
<b>Chemical resistance</b>	Good resistance against household cleaning agents as well as Ethanol. Other cleaning agents have to be tested.	
<b>Light output uniformity and color deviation</b>	Up to fiber length of 5.5 m no difference visible for lightsources with radiation angle of 55° max. (equals NA 0.46). For lengths > 2 m, lightsource at each end is highly recommended.	
<b>Operating Conditions</b>	Ambient Temperature Relative Humidity	-40°C to + 160°C 85% max.
<b>Transportation and Storage</b>	Temperature Relative Humidity	- 20°C to + 70°C 10 to 90% (non-condensing)

Related light sources
SCHOTT® HelioBasic II (single color, standard intensity)
SCHOTT® HelioIntense (single color, high intensity)
SCHOTT® HelioIntense Spectrum CC (full colors, high intensity)
SCHOTT® HelioPower (single color, very high intensity for multi-tail applications)

End ferrule with union nut



All specifications are subject to change without prior notice. This datasheet or any extracts thereof may only be used in other publications with express permission of SCHOTT. © SCHOTT North America Inc.

Lighting and Imaging  
**SCHOTT North America, Inc.**  
 122 Charlton Street  
 Southbridge, MA 01550  
 USA  
 Phone: +1 508/7653235  
 Fax: +1 508/7647361  
 info.aviation@us.schott.com  
 www.us.schott.com/aviation

