

# SCHOTT HelioBasic

Small, compact, lightweight LED Lightsource ...



## Product Characteristics

The **SCHOTT HelioBasic** is a small but very efficient LED lightsource that was developed especially for the combination with our fiber optic components and harnesses. **SCHOTT HelioBasic** is perfect when space is limited but a high light output is requested. **SCHOTT HelioBasic** is a smart and compact solution that is compliant to all Airbus and Boeing regulations.

Qualification in preparation for all AIRBUS and BOEING Aircraft.

## Technical Specifications

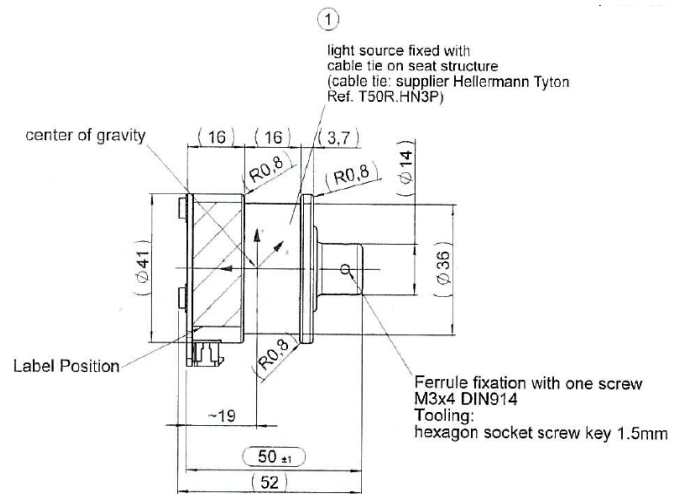
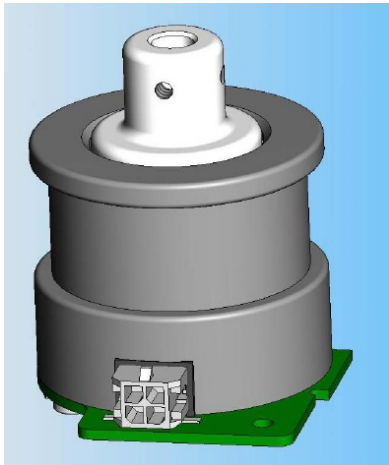
Power Input	5 – 28 VDC
Power consumption	Typ. 1,5 W @ 24 V, max. 3,5 W @ 28 V (depends on required brightness setting)
Control	Via Passenger Control Unit or Galley Control Unit or On/Off
Typical LED lifetime	50.000 h
Colour	various single colours/RGB on request
Dimensions	52 mm height, 39 mm diameter
Max. weight	150 g

## Recommended Applications/Associated products

Star Ceiling „SCHOTT HelioStar“

Side Light „SCHOTT HelioLine“ for cabin moodlighting

Light Spot „SCHOTT HelioSpot“ on various monuments



For more information please contact:

### Aviation

SCHOTT AG  
 Otto-Schott-Str. 2  
 55127 Mainz  
 Germany  
 Phone: +49 (0)6131/660  
 Fax: +49 (0)6131/667850  
 E-mail: [info.aviation@schott.com](mailto:info.aviation@schott.com)  
[www.schott.com/aviation](http://www.schott.com/aviation)

**SCHOTT**  
 glass made of ideas