

SCHOTT® Smart Touch.

Experience the power of intuitive control.

Cavities in flat glass.



Smooth in function and easy to operate: switches with SCHOTT Smart Touch made by SCHOTT.

Product description

A new grinding technology allows the processing of cavities on the surface of a flatglass. SCHOTT® Smart Touch provides haptic feedback on a plain glass surface for easy detection of touch sensors behind the glass. The switches become more durable and they offer a manifold of combined functions which raise the operational comfort of the user. It is a perfect solution to replace mechanical switches by touch sensors. This innovative technology has been developed by SCHOTT Flat Glass for high precision positioning of cavities in a fully automated mass production process.

Applications

SCHOTT Smart Touch is recommended for control panels of electric devices in many markets:

- Home appliances; Fitness equipment; Security access systems
- Operating units for building control (lighting, heating, shutters...)
- Remote control units; Industrial equipment; Medical and laboratory instruments
- Any glass panel with an integrated capacitive switch

SCHOTT Smart Touch is compatible with capacitive, infrared and acoustic sensors.

Switch Technology

SCHOTT Smart Touch is an ideal solution for tactile orientation of switch technologies behind a glass surface. The assembly of capacitive technology as well as infrared technology works well with any shape of SCHOTT Smart Touch.

Shapes and product options

SCHOTT Smart Touch is available in three standard shapes:



Point

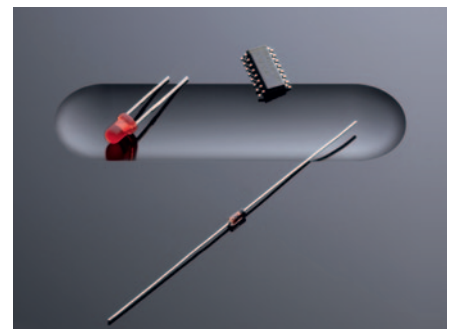
Circular

Slider

Other shapes are available upon request; our technical team will carefully check individual sizes and designs. SCHOTT Smart Touch can be illuminated to visually mark touch sensors behind glass, e.g. on / off status.



Matte surface finish.



Polished surface finish.

Benefits

- Haptic and intuitive orientation of touch sensors
- Fast and easy location of touch sensors (important for disabled persons)
- Risk-free in wet surroundings → waterproof (penetration of fluids to electronics is impossible)
- Easy cleaning (no joints)
- Improved hygiene (no retention area for dirt and bacteria)
- Allows the design of intuitive operating systems
- Enables switches with practically unlimited lifetime (no moving parts)
- Allows individual design (diameter, depth, symbol, back lighting, polished or unpolished) for brand recognition

SCHOTT
Gemtron

Technical specifications.

Dimensions for point, circular and slider shapes:

Diameter (D) in mm	Depth (e) in mm	Min. glass thickness (d) in mm	Surface finish
3	0.050	≥3	matte
4	0.080	≥3	matte
5	0.125	≥3	matte
6	0.181	≥3	matte
7	0.246	≥3	matte
8	0,322	≥3	matte / polished
9	0,408	≥3	matte / polished
10	0,505	≥3	matte / polished
11	0,613	≥3	matte / polished
12	0,731	≥3	matte / polished
13	0,860	≥4	matte / polished
14	1,000	≥4	matte / polished
15	1,152	≥4	matte / polished
16	1,315	≥4	matte / polished
17	1,489	≥4	matte / polished
18	1,676	≥4	matte / polished
19	1,875	≥4	matte / polished
20	2,087	≥4	matte / polished

(other dimensions available upon request)

Processing Technologies to connect with SCHOTT® Smart Touch

Conductive layer

- For the design of a capacitive sensor behind the dimple, the rear side of the glass panel can be equipped with a conductive layer.

Full surface decoration in almost any color

- SCHOTT® Smart Touch can be decorated with almost any color. It is possible to add graphics e.g. a logo, or any symbol. The use of different color types is possible: ceramic or organic colors.

Braille Printing

- For easy detection of switches, Braille symbols or raised symbols can be added to SCHOTT Smart Touch. This additional functionality is advantageous for visually handicapped users.

Lighting options

- SCHOTT Smart Touch can be illuminated to visually mark electronic switches behind glass, e.g. on/off status.

Electronic printed circuit board

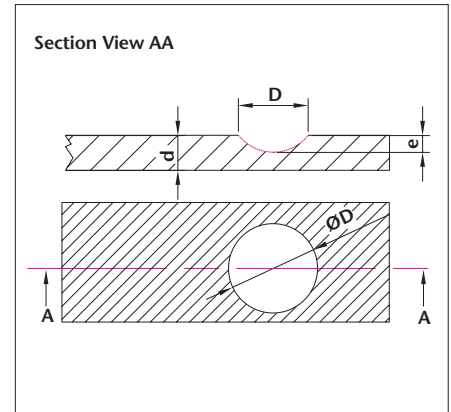
- SCHOTT Smart Touch can be combined with any electronic functionality that needs the assembly of an electronic printed circuit board behind the glass panel.

General features

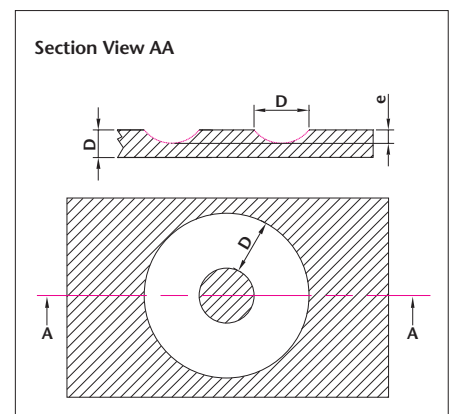
SCHOTT Smart Touch is possible on glass panels with the following sizes:

- Maximum size: 800 x 600 mm
- Minimum size: 30 x 30 mm
- Thickness: 3 to 10 mm

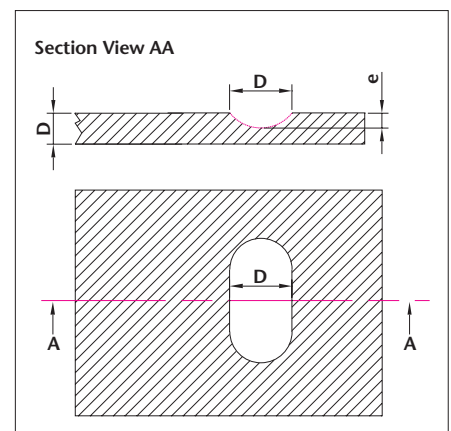
Point Shape



Circular Shape



Slider Shape



SCHOTT Gemtron
615 Highway 68
Sweetwater, TN 37874
USA

Phone +1 (0) 423 337 3522
Fax +1 (0) 423 337 7979
salesinfo@us.schott.com

www.schottgemtron.com

SCHOTT
Gemtron