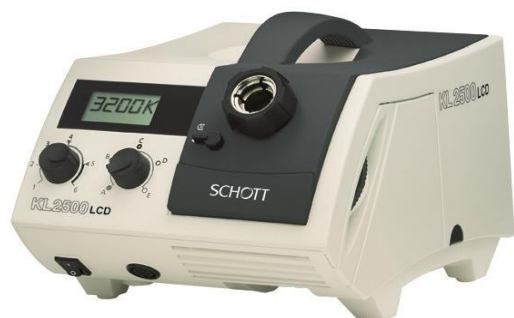


# KL 2500 LCD

Ideal for special applications





KL 2500 LCD

The KL 2500 LCD is a halogen light sources from SCHOTT for special applications.

With its 250 W light reflector lamp, the KL 2500 LCD exceeds twice the amount of light given by the KL 1500 HAL. Close to 100 CRI halogen spectrum for excellent performance at rendering colors.

The outstanding performance of the KL 2500 LCD makes it the instrument of choice for all applications in microscopy which demand a higher light output. Where meeting macro-photography's shorter exposure requirements, light reserve for forensic and GFP fluorescence applications, the KL 2500 LCD is the right device.

General data		
Dimensions (W x D x H)	(mm) / (inch)	Ca. 200 x 265 x 170 Ca. 7.9" x 10.4" x 6.7"
Weight	(kg)	Approx. 6.0
Cooling		Low-noise fan
Electrical data		
Operating voltage:		
▪ 120 volt version (Part-No. 250 201)		100 V ~ 50/60 Hz, 120 V ~ 60 Hz
▪ 230 volt version (Part-No. 250 200)		220 V ... 240 V ~ 50/60 Hz
Protection class		II
Lamp type		Halogen reflector lamp Type ELC
Lamp voltage rating	(V)	24
Lamp power rating	(W)	250
Average lamp (level 4)	(h)	1.500
Service life (level 5)	(h)	150
Illumination data		
Light flux	(lm)	1.300 <sup>1</sup>
Light control		Electrical and mechanical
Active light guide diameter	(mm) / (inch)	Max. 15/Max. 0.59"
Certification marks		
120 volt version		 (C/US)
230 volt version		

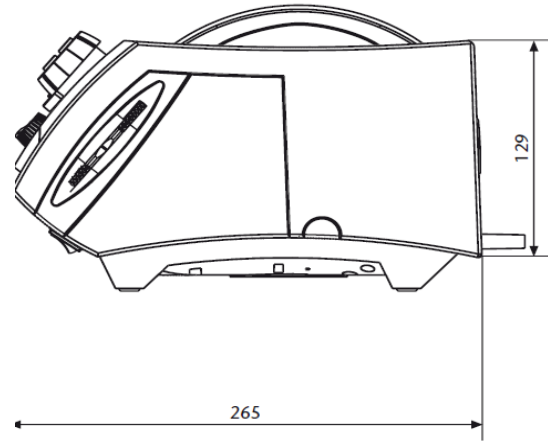
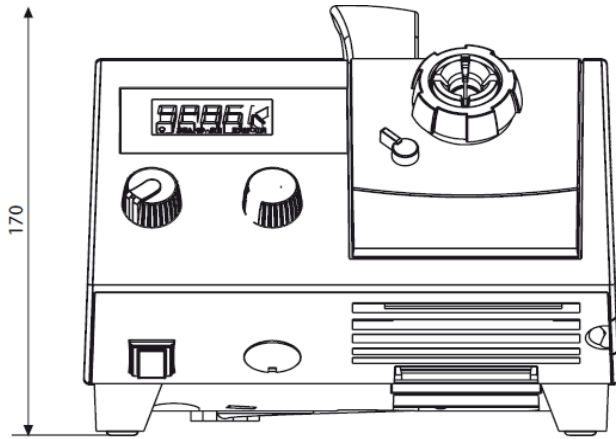
## Features:

- Ease of use: The KL 2500 LCD is supplied with a filter wheel, which accommodates up to five insert filters. Filter selection is as simple as a turn of the knob.
- Electronic accessories: such as remote control, RS-232 or tilt switch, can be connected to the front panel of the device enabling light source operation in difficult access areas.
- With the flexible light guide socket, light guides up to 15-mm fiber bundle diameter can be used with optimum results. Design compatibility allows KL 1500 light guides to also be used with the KL 2500 LCD.
- Lamphousing opens to the side (allows change of bulb even if stacked).

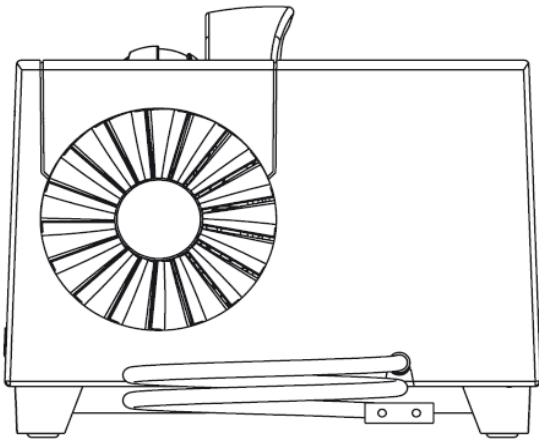
<sup>1</sup> at the output of SCHOTT fiber optic light guide, 1-arm, flexible, Ø 15 mm active, length 1000 mm



KL 2500 LCD



9 PIN connector for remote control or electronic accessories



All specifications are subject to change without prior notice. This datasheet or any extracts thereof may only be used in other publications with express permission of SCHOTT. © SCHOTT North America, Inc.

SCHOTT North America, Inc.  
**Lighting and Imaging**  
122 Charlton Street  
Southbridge, MA 01550 USA  
phone: +1-508-765-3211  
fax: +1-508-764-6273  
lightingimaging@us.schott.com  
www.us.schott.com/lightingimaging

