

Jumbo Ringlight



Annular ringlight Jumbo 66 mm

Features

- Continuous ring of illumination fiber within the housing.
- Active diameter of the bundle is using the entire focal diameter of the 250 watt halogen bulb.
- Mounts directly to 66 mm objective by means of thumb screw.
- Housing made of rugged, black anodized aluminum.
- Fiber bundle protected with flexible metal PVC sheathing.

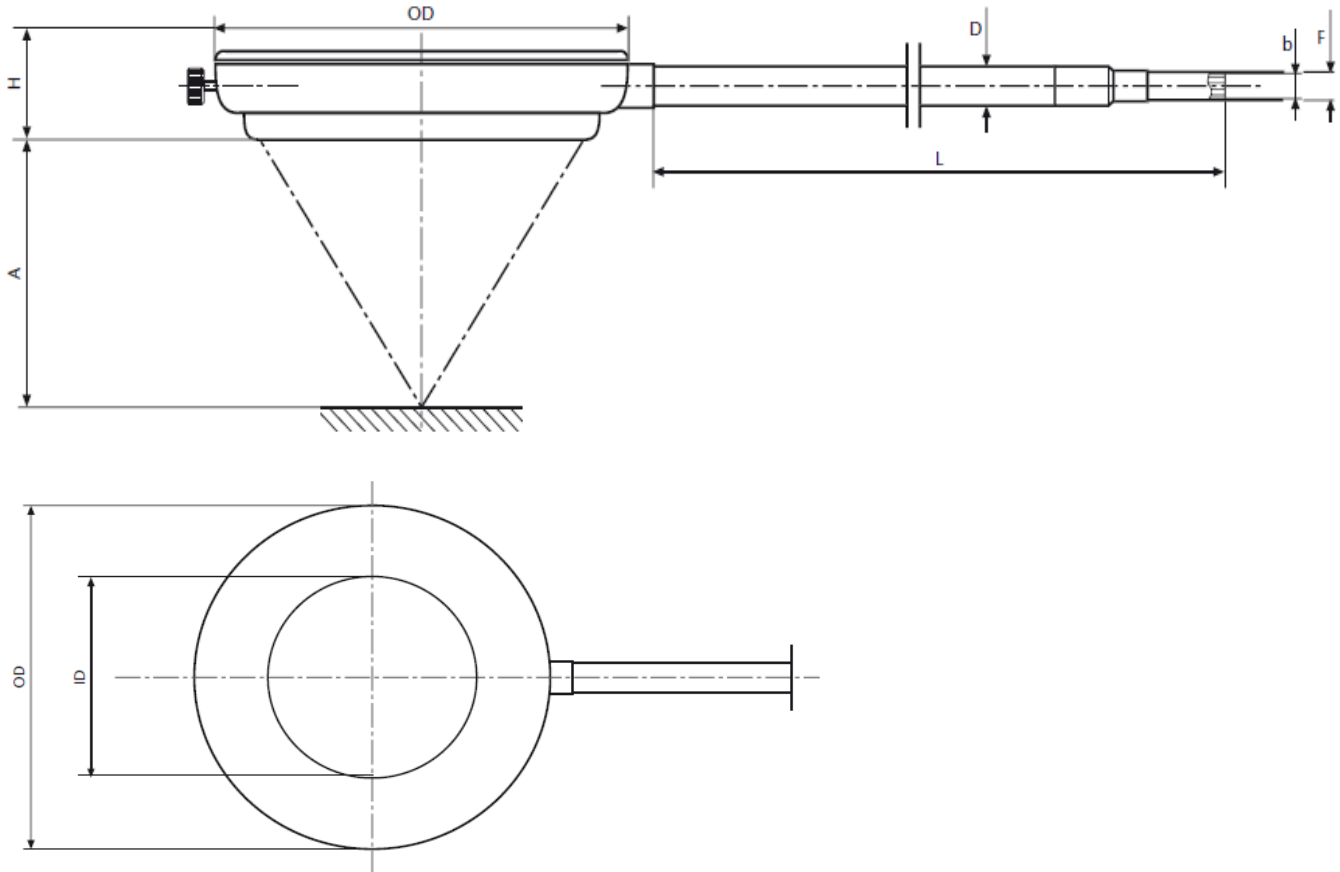
Benefits

- Absolute shadow-free illumination for large area targets (i.e. SMD).
- The Jumbo ringlight in connection with the KL 2500 LCD delivers 300% more light as the standard ringlight with KL 1500 LCD.
- Large area fluorescence illumination.

Cold light source	Part No.	Type	Length	Inner Ø	Outer Ø	Height	Minimum working distance*	Active Ø branch	Outer Ø Jacketing	Light source adapter Ø
			(L)	(ID)	(OD)	(H)	(A)	(b)	(D)	(F)
KL 2500 LCD only	257 420	Slit 66 mm Ø	1000 mm 43.48"	66 mm 2.60"	120 mm 4.72"	36 mm 1.44"	25 mm 0.98"	12 mm 0.47"	20 mm 0.80"	17 mm 0.67"

* Ringlight usable in any working distance above given minimum values.

Jumbo Ringlight



All specifications are subject to change without prior notice. This datasheet or any extracts thereof may only be used in other publications with express permission of SCHOTT. © SCHOTT North America, Inc.

SCHOTT North America, Inc.
Lighting and Imaging
122 Charlton Street
Southbridge, MA 01550 USA
phone: +1-508-765-3211
fax: +1-508-764-6273
lightingimaging@us.schott.com
www.us.schott.com/lightingimaging

SCHOTT
glass made of ideas