

Ringlights, 66mm / 58mm

For intense, uniform, and shadow-free illumination. Designed to fit Nikon SMZ and Leica S4E and S6E microscopes



Basic 66 mm Ringlight A08625



Tapered Ringlight with Retaining Ring, A22040

66 mm Ringlight Characteristics

- Ringlights fit 66 mm microscope and camera objectives, with options such as a tapered inner-body ringlight for the Nikon SMZ 645/600 microscopes (See A22040 model)
- Clamp rings for the Universal Ringlights also fit the 66 mm ringlights for use with a different diameter microscope objectives or with the ringlight holder (See the Support Apparatus for ringlights section)

Part No.	Exit	ESD	Objective Diameter	Mounting System	Polarize/ Analyzer
A08625	Standard		66 mm	Thumbscrew	A08615*
A08680	Vertical		66 mm	Thumbscrew	A08615*
Custom		Yes	66 mm	Thumbscrew	N/A

* If using the A08626 adapter, use A08627 polarizer/analyzer

58 mm Ringlight Characteristics

- Vertical exit bundle increases work space and prevents the bundle from interfering with surrounding objects
- Retaining ring mounting for the A22040 ringlight offers secure positioning

Part No.	ESD	Objective Diameter	Mounting System	Polarize/ Analyzer
A22040*		Nikon SMZ 645/660	Thumbscrew	A22042*
A22050		Leica S4E/S6E	Thumbscrew	A22052*
A22060	Yes	Leica	Thumbscrew	Custom

* Made-to-order products

*The A22040 ringlight has a tapered ring diameter to use with SMZ 645/660 microscope. A retaining ring is used for mounting instead of a thumbscrew

Product and Performance Characteristics

- 33" (838) bundle length on all models, working distance is 1.5" to 6" (38 to 152)
- ESD ringlights are made conductive by replacing the black anodized finish with a conductive finish and the PVC metal tubing with stainless steel tubing; each ringlight is checked for conductivity from inner body to light source adapter (Available custom)
- Thumbscrew clamping/mounting system for precise positioning (except for model number A22040), ringlights fit directly onto most microscope and camera objectives without adapters
- Input fits all ColdVision light sources; Ringlights can be used with other manufacturer's continuous light sources (Adapters may be required)
- Use ringlights with our dichroic color filters, diffusers, polarizer/analyzers and reflector rings for alternative lighting effects
- Modified standard and custom ringlights are also available for all your unique requirements

Warning : This product is manufactured with glass fiber. Not for use in cable/hose carrier. Call SCHOTT to discuss moving cable/hose carrier applications.

Version 01.2017

SCHOTT
glass made of ideas

Specifications Ringlights, 66mm and 58mm

Ringlight Input: Black Anodized Aluminium or Conductive Finish
 Bundle Sheathing: PVC Covered Metal Tubing or Stainless Steel
 Working Distance: 1.5" to 6" (38 to 152)



Vertical Exit 66 mm Ringlight, A08680



66 mm Ringlight, A08625



Nikon Compatible, A22040

Specifications Ringlights, 58mm

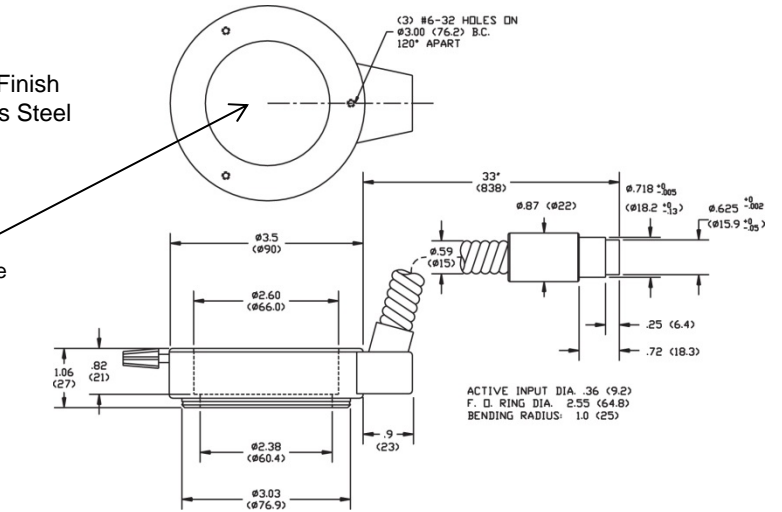


Leica Compatible, A22050

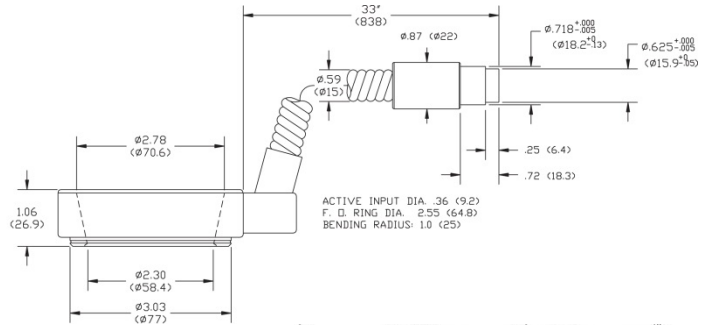
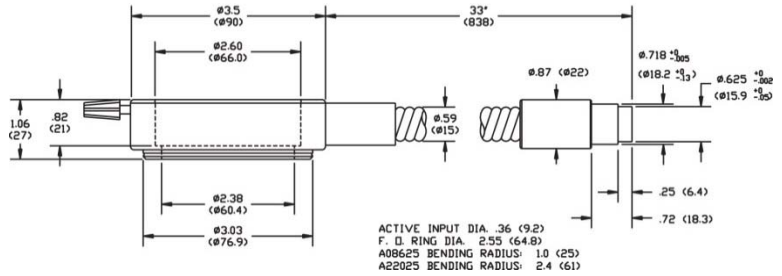


ESC 66 mm Ringlight, A22060
 (Made-to-order product)

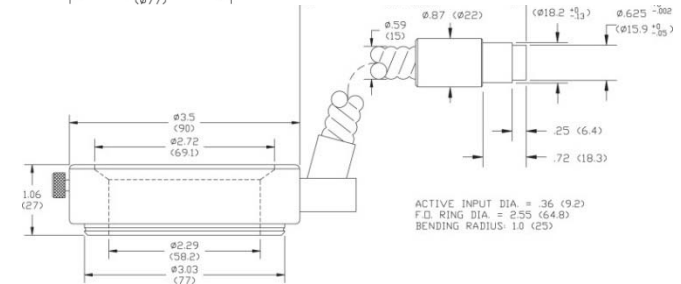
Mounting Hole
 Location for
 A08625,
 A22025,
 A08680



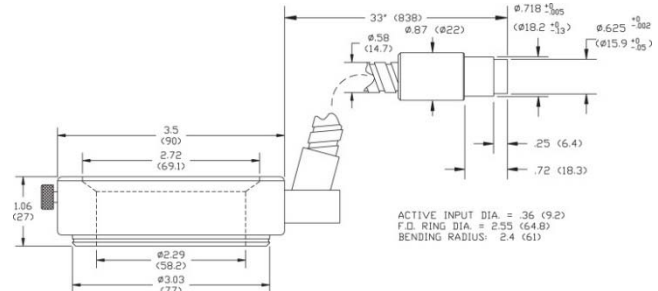
A08625



A22040



A22050



A22060

Lighting and Imaging
SCHOTT North America, Inc.
 122 Charlton Street
 Southbridge, MA 01550
 USA

Phone: +1 (508) 765-9744
 Fax: +1 (508) 765-1299
 lightingimaging@us.schott.com
 www.us.schott.com/lightingimaging

SCHOTT
 glass made of ideas

All specifications are subject to change without prior notice.
 This datasheet or any extracts thereof may only be used in
 other publications with express permission of SCHOTT. ©
 SCHOTT North America, Inc.