

Diffuse Dome

For use with 4" Fiber Optic Ringlight A08700.



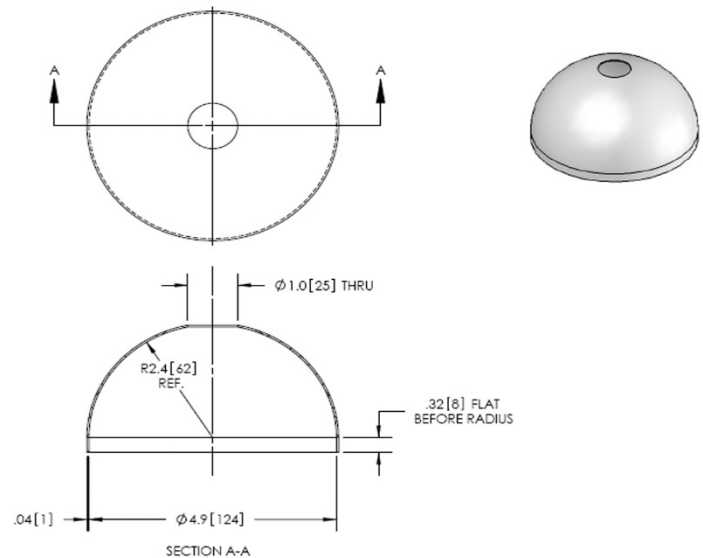
Typical Applications

- Data matrix code reading, OCR/OCV
- Semiconductor wafer inspection
- Foil inspection
- Can or bottle inspection

Diffuse Dome A25045 with Ringlight, A08700 (Ringlight not included)

Product and Performance Characteristics

- Diffuse Dome is used to eliminate specular reflection on shiny surfaces.
- Eliminates specular glints and/or shadows on reflective parts
- Used with 4" diameter ringlight A08700
- 4.9" (124 mm) diameter x 2.70" (69 mm) height (without ringlight)
- Viewing aperture: 0.98 (25 mm)



Dimensions in () are in mm
All other dimensions are inches

Version 01.2017

All specifications are subject to change without prior notice. This datasheet or any extracts thereof may only be used in other publications with express permission of SCHOTT. © SCHOTT North America, Inc.

Lighting and Imaging
SCHOTT North America, Inc.
122 Charlton Street
Southbridge, MA 01550
USA
Phone: +1 (508) 765-9744
Fax: +1 (508) 765-1299
lightingimaging@us.schott.com
www.us.schott.com/lightingimaging

SCHOTT
glass made of ideas