

# Transmitted Light Stage



Transmitted light stage, P/N 122 150



Analyzer



Transmitted light stage P/N 122 150 with Polarization filter P/N 158 500

## Advantages

- Transmitted light stage for microscopy applications.
- Cost effective transmitted brightfield illumination.
- Can be directly inserted into the microscope stages of most major microscope manufacturers.
- Small height raises approximately 20 mm above microscope stage.
- Evenly illuminates a diameter of 50 mm.
- Can be used with all flexible light guides with bundle diameters up to 5.0 mm.
- Polarizing filters available (see table below).

| Transmitted light stage  | Part. No. | Dimension | Suitable SCHOTT light guides |
|--|-----------|-----------|------------------------------|
| For KL 1500 HAL<br>For KL 300 LED<br>For KL 1600 LED<br>For KL 2500 LED<br>For KL 2500 LCD | 122 150   | Ø 84 mm   | 121 101                      |
|  |           |           | 171 101                      |
|  |           |           | 155 100                      |
|  |           |           | 155 101                      |
|  |           |           | 155 102                      |

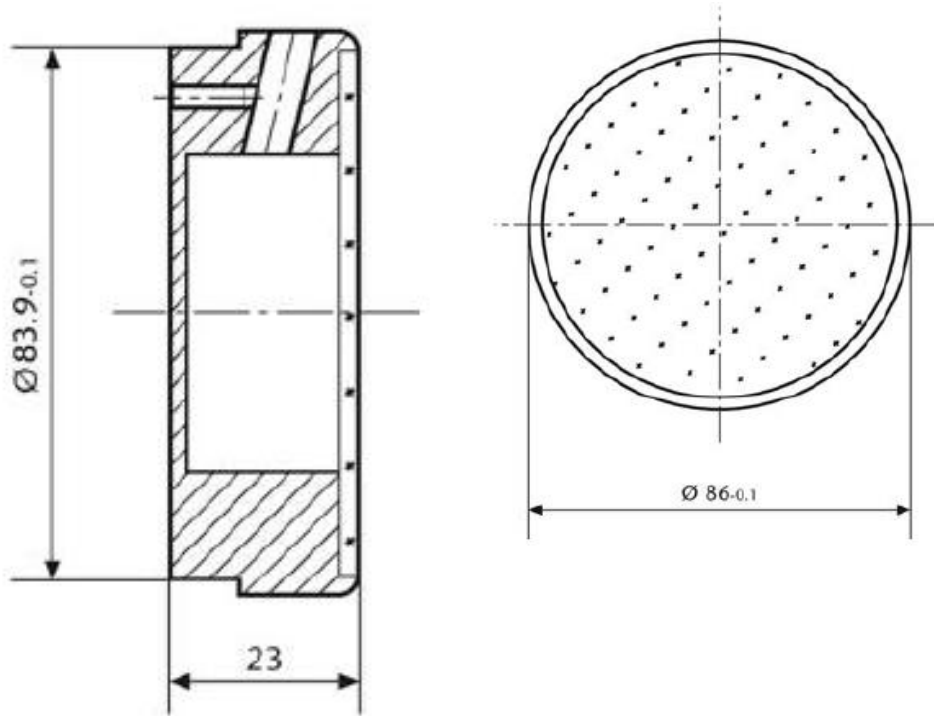
| Polarizing filter for transmitted light stage           | Part No. | Dimension                               |
|---|----------|---|
| Polarization filter                                     | 158 500  | Turnable polarization filter attachment |
| Analyzer  | 158 505  | M49 x 0.75                              |
| Analyzer  | 158 510  | M52 x 1.0                               |
| Other analyzers available from microscope optic vendors |          |   |

\*\* and discontinued KL 1500 products (KL 1500 compact, KL 1500 LCD, KL 1500 LED, KL 1500 LED Plus)

Version: 09.2014



## Transmitted light stage



All specifications are subject to change without prior notice. This datasheet or any extracts thereof may only be used in other publications with express permission of SCHOTT. © SCHOTT North America, Inc.

SCHOTT North America, Inc.  
**Lighting and Imaging**  
122 Charlton Street  
Southbridge, MA 01550 USA  
phone: +1-508-765-3211  
fax: +1-508-764-6273  
lightingimaging@us.schott.com  
www.us.schott.com/lightingimaging

**SCHOTT**  
glass made of ideas