

# 6-Point Ringlights



6-point ringlight 58 mm

## Features

- Six illumination spots designed within housing.
- Mounts directly to objective by means of thumb screw.
- Housing made of rugged, black anodized aluminium.
- Fiber bundle protected with flexible metal PVC sheathing.

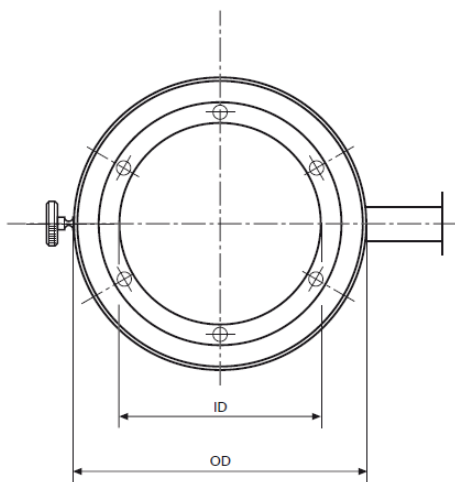
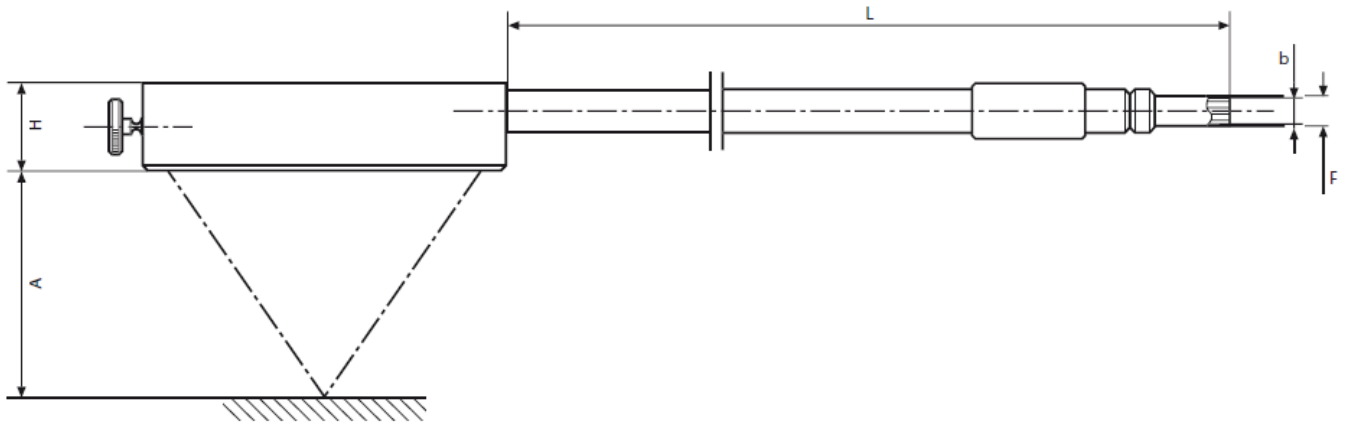
## Benefits

- Cost effective in comparison to annular ringlights
- Illumination with reduced shadows, but still sufficient shadows for improved contrasts.

Cold light source	Part No.	Type	Length	Inner Ø	Outer Ø	Height	Minimum working distance*	Active Ø branch	Outer Ø Jacketing	Light source adapter Ø
			(L)	(ID)	(OD)	(H)	(A)	(b)	(D)	
KL 300 LED	172 601	66 mm Ø	1000 mm 39.37"	66 mm 2.60"	94 mm 3.70"	23 mm 0.91"	37 mm 1.46"	6 mm 0.24"	10.8 mm 0.43"	9 mm 0.35"
	172	58 mm Ø	1000 mm 39.37"	58 mm 2.28"	86 mm 3.39"	23 mm 0.91"	30 mm 1.18"	6 mm 0.24"	10.8 mm 0.43"	9 mm 0.35"

\* Ringlights usable in any working distance above given minimum values.

## 6-point Ringlights



All specifications are subject to change without prior notice. This datasheet or any extracts thereof may only be used in other publications with express permission of SCHOTT. © SCHOTT North America, Inc.

SCHOTT North America, Inc.  
**Lighting and Imaging**  
122 Charlton Street.  
Southbridge, MA 01550 USA  
phone: +1-508-765-3211  
fax: +1-508-764-6273  
lightingimaging@us.schott.com  
www.us.schott.com/lightingimaging

