

Diffusing Facelight



Diffusing Facelight

Features

- Diffuse and uniform illumination within a certain active area.
- A white acrylic diffuser plate provides an optimum combination of uniformity and intensity.
- Mounts directly to respective light guide by means of thumb screw.
- Housing made of rugged, black anodized aluminum.
- Fiber bundle protected with flexible metal PVC sheathing.

Benefit

- Illumination of polished or high reflective surfaces.

Cold light source	Part. No.	Active Area	Housing Dimensions	Connection for end tip Ø	Connection for end tip length	Mounting
			(L)	(ID)	(OD)	
KL 1500 HAL KL 1600 LED KL 2500 LED KL 2500 LCD	500 100	78 x 30 mm 3.12" x 1.2"	137 x 58.5 x 23 mm 5.64" x 2.34" x 0.92"	10 mm 0.39"	20 mm 0.79"	2 M6 holes*

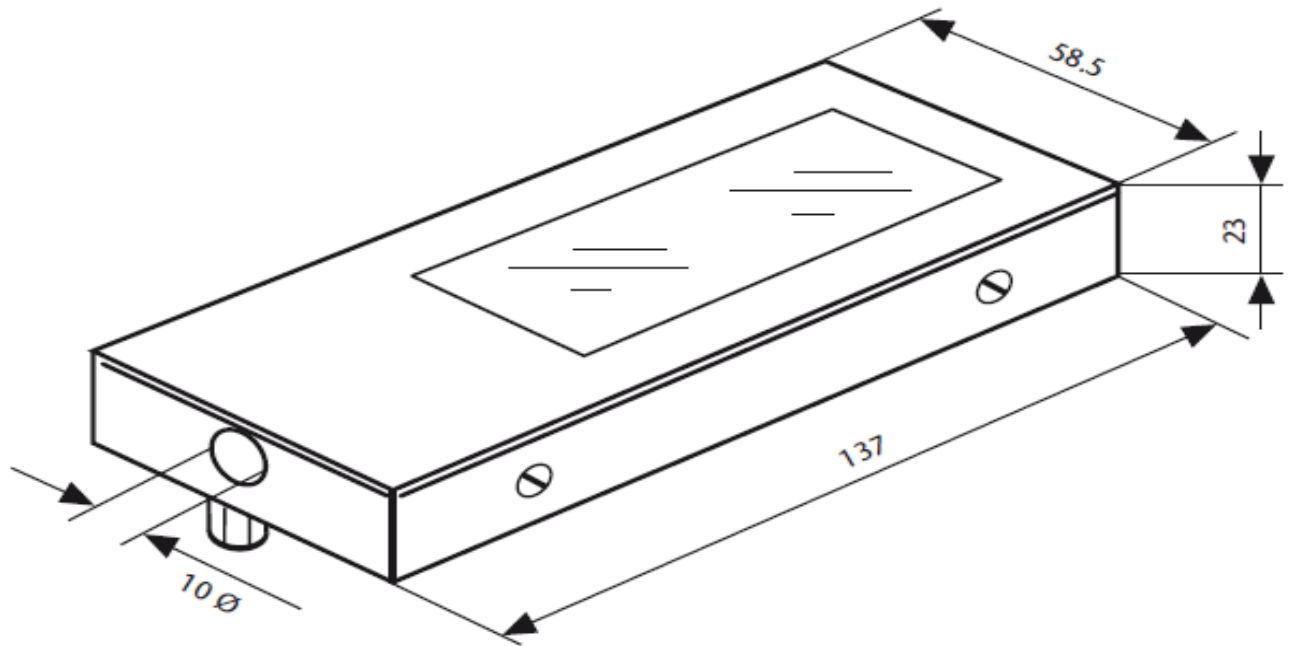
Fitting light guides	Part. No.	
KL 1500 HAL KL 1600 LED KL 2500 LED KL 2500 LCD	155 103	1 branch, flexible
KL 2500 LCD only	255 204	2 branch, flexible, randomized

* Refer to articulating arm. (Part-No. 158 345)

** and discontinued KL 1500 products (KL 1500 compact, KL 1500 LCD, KL 1500 LED, KL 1500 LED Plus)



Diffusing Facelight



All specifications are subject to change without prior notice. This datasheet or any extracts thereof may only be used in other publications with express permission of SCHOTT. © SCHOTT North America, Inc.

SCHOTT North America, Inc.
Lighting and Imaging
122 Charlton Street
Southbridge, MA 01550 USA
phone: +1-508-765-3211
fax: +1-508-764-6273
lightingimaging@us.schott.com
www.us.schott.com/lightingimaging

