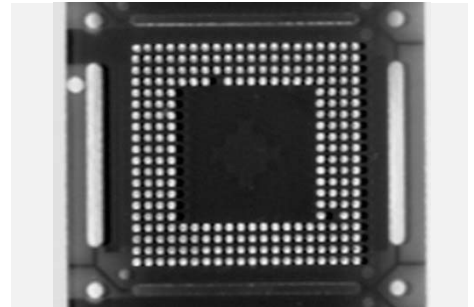


Darkfield Ringlight

Unique parabolic reflector ring creates a radial “light sheet” for oblique lighting effects.

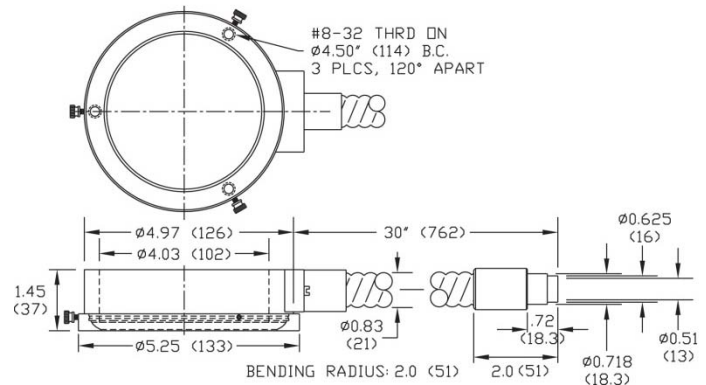


Actual Image of BGA (Ball Grid Array) chip illuminated by a Darkfield ringlight clearly identifies where solder balls are missing.

Darkfield Ringlight, A22780

Product and Performance Characteristics

- Eliminates need for a quad lightline and mounting hardware to create similar lighting effects
- Randomized bundle creates extremely uniform light output
- Remove the reflector ring to create a long working distance ringlight
- Can be used with continuous or strobe light sources, standard input adapter accepts the full range of all our color filters
- Three #8-32 threaded mounting holes in the top of the ringlight body facilitate fixturing



Darkfield Ringlight, A 22780

Dimensions in () are in mm

Typical Applications

- BGA (Ball Grid Array) inspection
- Illuminating scratches on highly reflective surfaces
- Water contamination inspection

Darkfield Ringlights

Part No.	Exit	ID	OD	Working Distance	Bundle Length
A22780	Standard	4.03" (102)	5.25" (134)	0" - 0.25" (0 - 6.35)	30" (762)

Dimensions in () are in mm

Ringlight Input:
Black Anodized Aluminium
Bundle Sheathing:
PVC Covered Metal Tubing or Stainless Steel

Warning : This product is manufactured with glass fiber. Not for use in cable/hose carrier. Call SCHOTT to discuss moving cable/hose carrier applications.

Version 01.2017

