

# EasyLED Spotlights

Ergonomic and compact illumination system for stereo microscopy and macroscopy



Spotlight



Spotlight Plus

## Features Spotlight

- High brightness power LED
- Easy adaption at goosenecks, articulating arms and microscopes
- Compact controller for continuous dimming (0 - 100 %) and separate on/off switch
- Total light flux: 40 lm

## Features Spotlight Plus

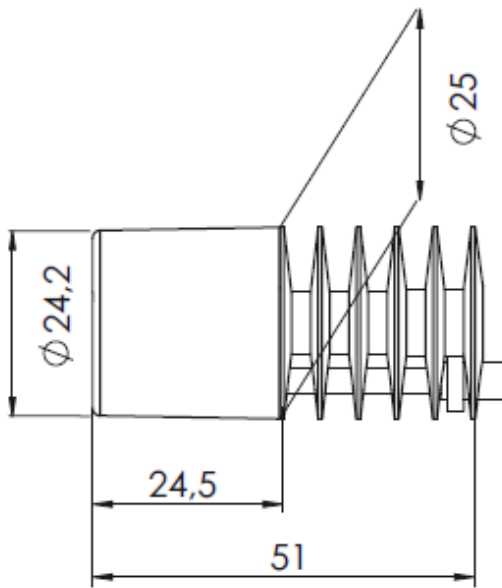
- Spotlight Plus adaptors for all stands plus stand-alone version available
- Double Spotlight Plus with switching feature: LED head 1 ON, LED head 2 A, both LED heads ON, both LED heads off, etc.
- Max. light flux: 130 lm each spot

Spotlights	Part.No.	Front lens	Max. light flux	Adaption thread	Power Supply
Spotlight	600 100	17 mm (0.67")	40 lm	M6	5 V, DC
Double Spotlight	600 120	2 x 17 mm (0.67")	2 x 40 lm	2 x M6	5 V, DC
Spotlight Plus System	600 101	17 mm (0.67")	130 lm	various	5 V, DC
Double Spotlight Plus System	600 121	2 x 17 mm (0.67")	2 x 130 lm	various	5 V, DC

## Mounting Adaptors for Spotlight Plus System

bracket for column Ø 25 mm	120 225
bracket for column Ø 29 mm	120 229
bracket for column Ø 32 mm	120 232
bracket for column Ø 35 mm	120 235
Base for stand-alone application	158 340
Bracket for stand-alone application	120 250

# EasyLED Spotlights



EasyLED Spotlight Plus and Spotlight Plus

All specifications are subject to change without prior notice. This datasheet or any extracts thereof may only be used in other publications with express permission of SCHOTT. © SCHOTT North America, Inc.

SCHOTT North America, Inc.  
**Lighting and Imaging**  
6862 Santa Teresa Blvd.  
San Jose, CA 95119 USA  
phone: +1-408-363-2100  
fax: +1-408-363-9980  
microscopy@us.schott.com  
[www.us.schott.com/lightingimaging](http://www.us.schott.com/lightingimaging)

**SCHOTT**  
glass made of ideas