

# VisiLED Slim Ringlight

Innovative illumination system specially developed for stereo microscopy and microscopy applications



Slim Ringlight with focus optic rings for various working distances (400.150)



Focus optic ring for darkfield illumination (400.810)

## Features

- Easily adaptable to microscope objectives by means thumb screw
- Homogeneous incident or oblique illumination
- Controllable with all VisiLED controllers (MC750, MC1000, MC1500)
- Variable working distance ranges possible by exchange of focus optic rings
- Implementation of brightfield and darkfield applications
- Segments controllable in different preset modes:



## Benefits

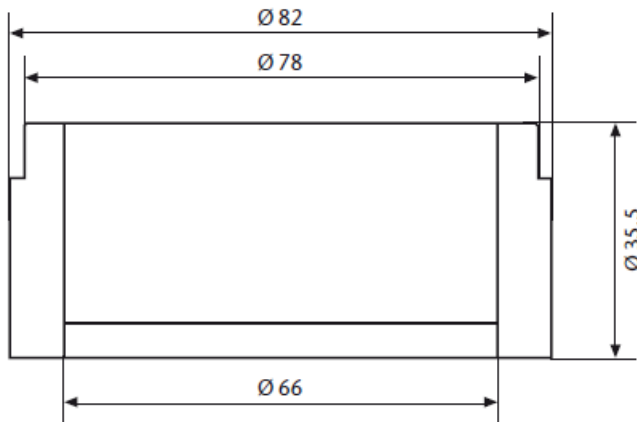
- Slim and space saving LED ringlight
- Optimal for unconfined object preparation or usage with objective revolvers

Lighthouse						
Description	Part. No.	Free working distance* (FWD)	Max. illuminance	Inner Ø	Outer Ø	Height
Slim Ringlight	400 150	40 – 90 mm (1.57" – 3.54")	65 klx (at 50 mm FWD)	66 mm (2.60")	82 mm (3.23")	35.5 mm (1.40")
		20 – 40 mm (0.79" – 1.57")	45 klx (at 25 mm FWD)			37.5 mm (1.48")

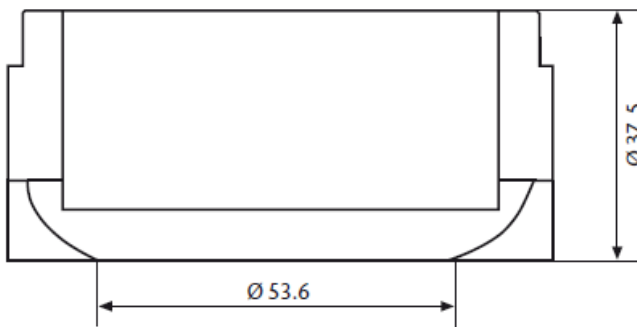
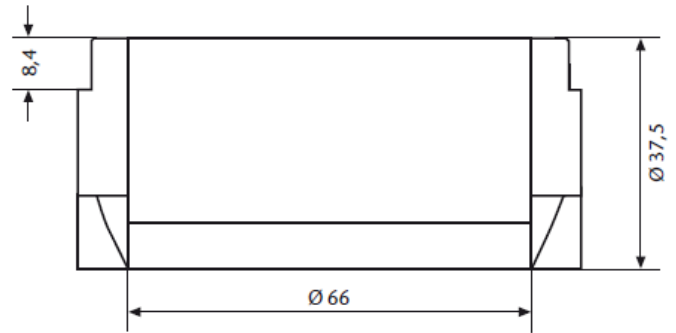
\*Focus optics rings for both working distance ranges are included



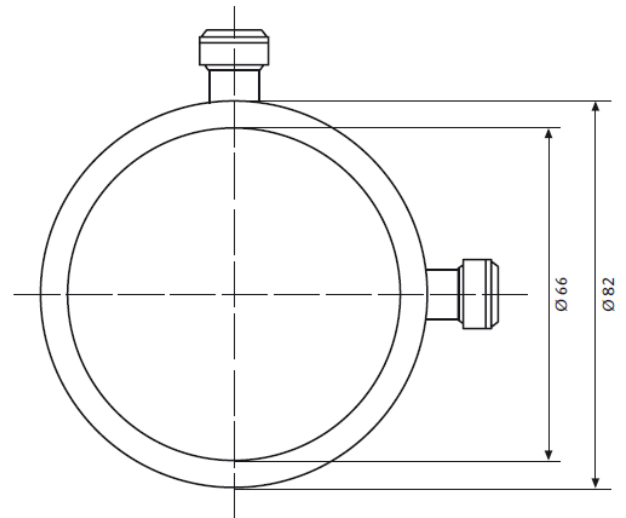
# VisiLED Slim Ringlight



with focus optic ring f50



with focus optic ring f10



Accessories		
Description	Free working distance (FWD)	Part. No.
Focus optic ring for darkfield	5 - 20 mm (0.20" - 0.79")	400 810
Extension adapters	Length	Part. No.
For objective working distance 30 – 50 mm (1.18" – 1.97")	30 mm (1.18")	157 569
For objective working distance 50 – 80 mm (1.97" – 3.15")	50 mm (1.97")	157 567
For objective working distance 80 – 110 mm (3.15" – 4.33")	75 mm (2.95")	157 562

All specifications are subject to change without prior notice. This datasheet or any extracts thereof may only be used in other publications with express permission of SCHOTT. © SCHOTT North America, Inc.

SCHOTT North America, Inc.  
**Lighting and Imaging**  
 122 Charlton Street  
 Southbridge, MA 01550 USA  
 phone: +1-508-765-3211  
 fax: +1-508-764-6273  
 lightingimaging@us.schott.com  
 www.us.schott.com/lightingimaging

