

# Darkfield Ringlight



Annular darkfield ringlight 66/70 mm



Extension adaptors for darkfield ringlight

## Features

- Ringlight with special configuration of fiber exit.
- Fibers are designed with low angle of incidence within the housing.
- Mounts directly to 66 & 70 mm objectives by means of three thumb screw or objective adaptors.
- Housing made of rugged, black anodized aluminium.
- Fiber bundle protected with flexible metal PVC sheathing.

## Benefits

- Illumination of polished or metal surfaces with real incident darkfield.
- Low angle illumination for darkfield effects for shiny, reflective surfaces.

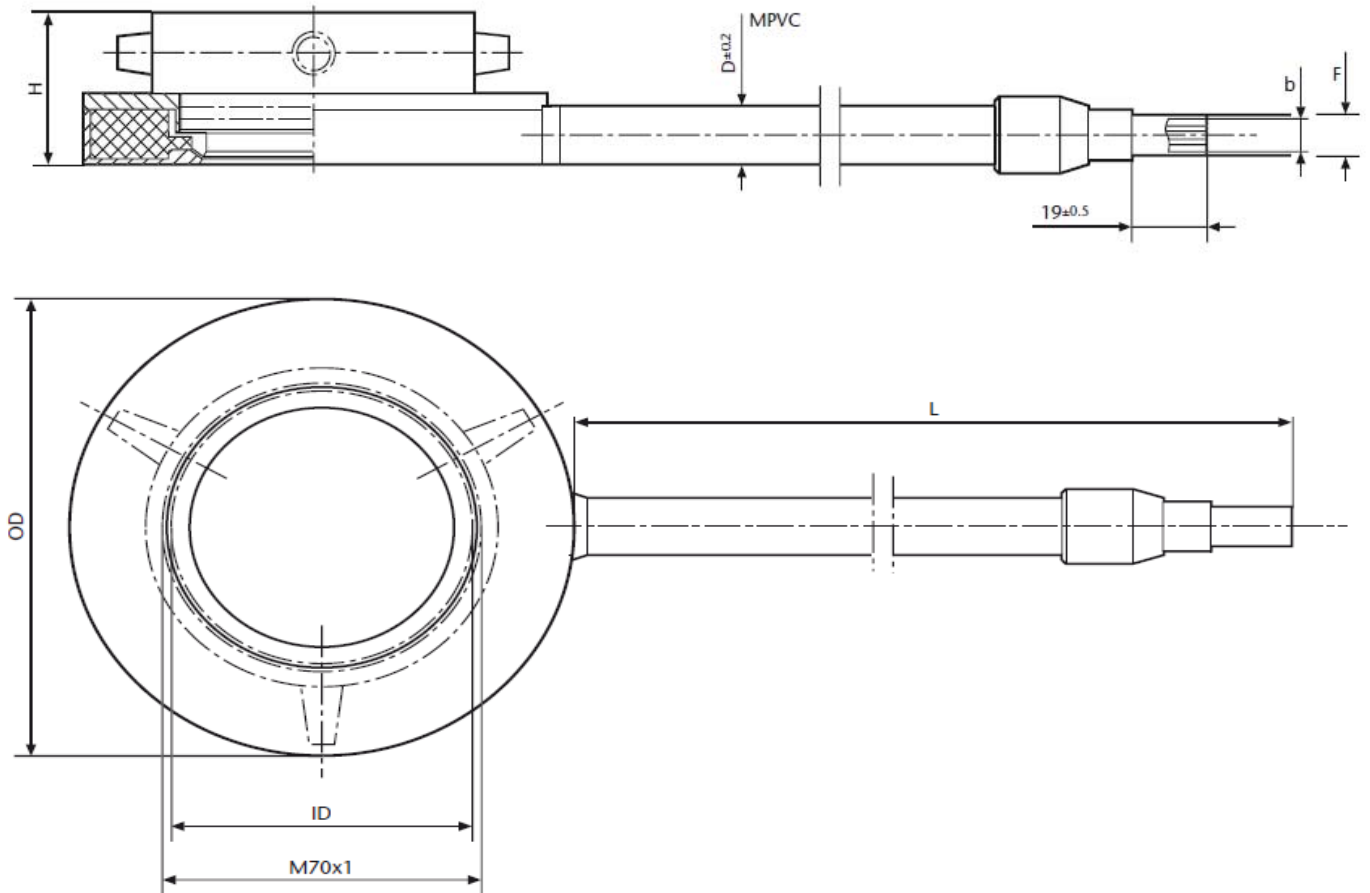
Cold light source**	Part No.	Type	Length	Inner Ø	Outer Ø	Height	Minimum working distance*	Active Ø branch	Outer Ø Jacketing	Light source adapter Ø
			(L)	(ID)	(OD)	(H)	(A)	(b)	(D)	
KL 1500 HAL KL 1600 LED KL 2500 LED KL 2500 LCD	157 406	Slit DF-RL	1000 mm 39.37"	120 mm 4.72"	66/70 mm 2.60"	36 mm 1.42"	5 mm-15 mm 0.20-0.59"	8.5 mm 0.34"	14 mm 0.55"	10 mm 0.39"

Adapting diameter 66 mm*	Part. No.	Length
Extension adaptor for objective working distance 30 – 50 mm	157 569	30 mm
Extension adaptor for objective working distance 50 – 80 mm	157 567	50 mm
Extension adaptor for objective working distance 80 –110 mm	157 562	75 mm

\* Further customized adaptors available.

\*\* and discontinued KL 1500 products (KL 1500 compact, KL 1500 LCD, KI 1500 LED, KL 1500 LED Plus)

# Darkfield Ringlight



All specifications are subject to change without prior notice. This datasheet or any extracts thereof may only be used in other publications with express permission of SCHOTT. © SCHOTT North America, Inc.

SCHOTT North America, Inc.  
**Lighting and Imaging**  
 122 Charlton Street  
 Southbridge, MA 01550 USA  
 phone: +1-508-765-3211  
 fax: +1-508-764-6273  
 lightingimaging@us.schott.com  
 www.us.schott.com/lightingimaging

