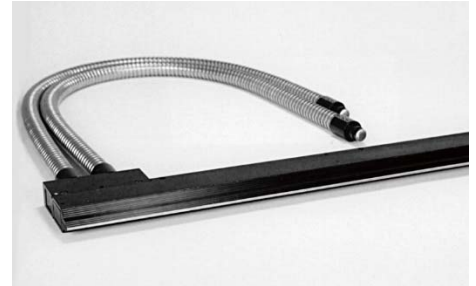


Spatially Randomized Lightlines

A patented exclusive, these 24" and 40" lightlines are ideal for web and line scanning applications requiring exceptional uniformity



Continuous Lightline, A08940



Continuous Lightline, A08964

Input: Black Anodized Aluminium
 Body: Black Anodized Aluminium
 Sheathing: PVC Covered Metal Tubing

Product and Performance Characteristics

- Manufactured using a patented process called spatial randomization, the process allows light from each input to be distributed over the entire length of the line so that if a light source fails while using multiple inputs, intensity is evenly reduced over the length of the line, rather than losing all light in a section of the line
- Calibrated to ± 15 gray scale levels at a mean of 200 with a gamma setting of 1.0 to deliver optimum uniformity (See reference section for more information on uniformity of fiber optic products)
- Assembly method accurately positions the fiber line within the body on all three planes, to a tolerance of $\pm .004''(0.1)\dagger$, assuring the fiber axis will be parallel with the mounting surface of the body
- 24" (610) lightline accepts our dichroic filters and diffusers, to use color filters on the 40" (1016) line part number A08931, color filter adapter, is required
- Rugged aluminum body with a black anodized finish, stainless steel tubing protects the fiber bundle
- Cylindrical lenses are available and are designed to collect light exiting the lightline to increase intensity up to a factor of 10
- Custom lengths, bundle exits, and line widths can be designed for your unique requirements

Lightlines and Lenses

Part No.	Line Dimension Length x Width	Input Active Fiber Diameter	Gray Scale Uniformity [^]	Bundle Length	Part No. for Lens	
					Cylindrical	Apertured
A08940	40"x.015" (1016x.38)	.62" (16)*	± 15	30" (762)	* A08860	Custom
A08964	24"x.022" (610x.56)	.57" (14)	± 15	40" (1016)	* A08864	Custom

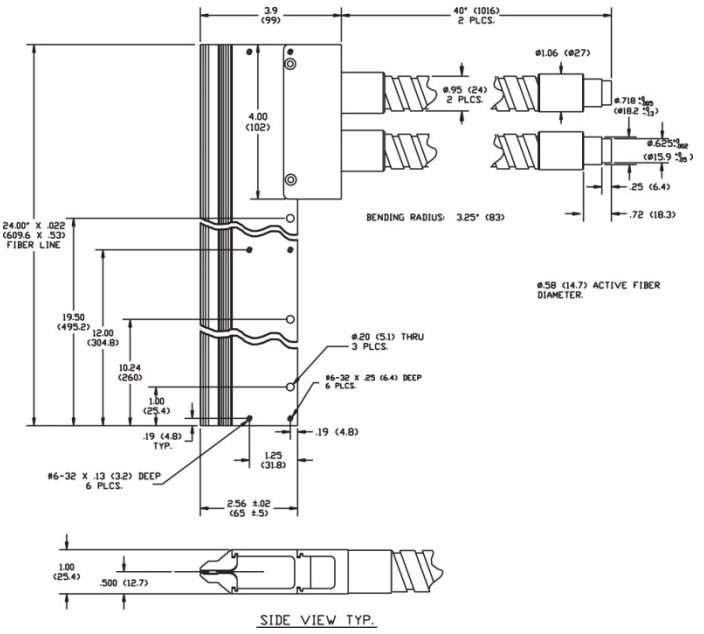
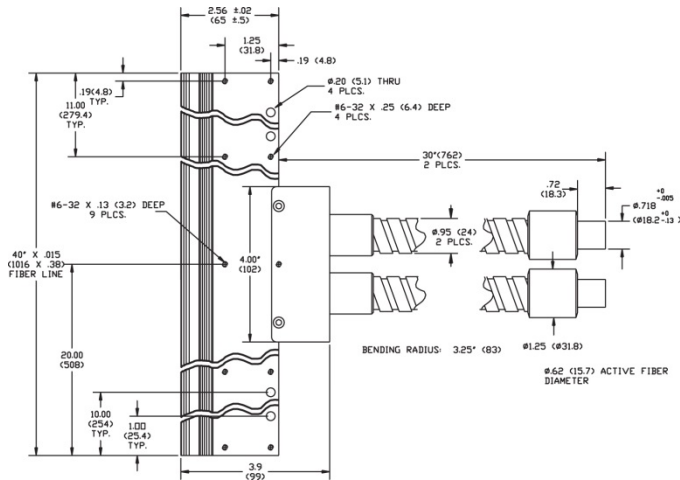
* Made-to-order products

Version 01.2017



Spatially Randomized Lightline A08940, 40" (1016)

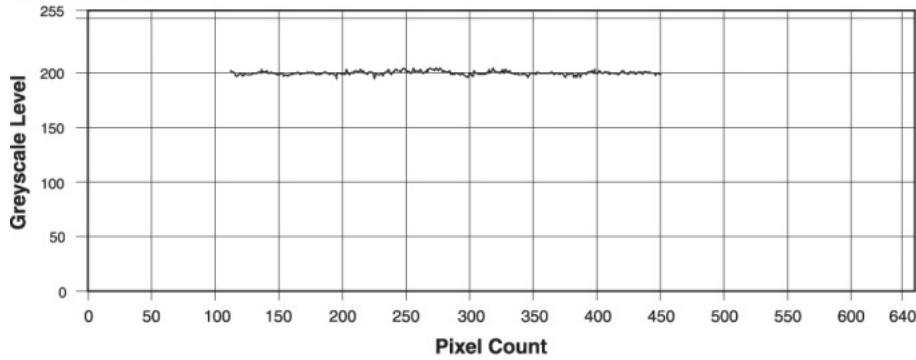
Spatially Randomized Lightline A08964, 24" (610)



Example of Line Scan Results

Dimensions in () are in mm

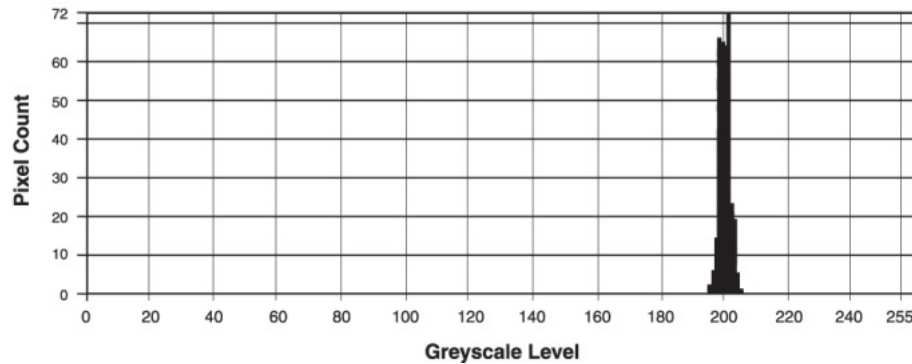
LINE PROFILE



GLOBAL REPORT

Mean Value	Maximal Value	Minimal Value	Standard Variation	Area (pixels)	%
199.78	205.00	195.00	1.74	337	1.40

HISTOGRAM



Warning : This product is manufactured with glass fiber. Not for use in cable/hose carrier. Call SCHOTT to discuss moving cable/hose carrier applications.

All specifications are subject to change without prior notice. This datasheet or any extracts thereof may only be used in other publications with express permission of SCHOTT. © SCHOTT North America, Inc.

Lighting and Imaging
SCHOTT North America, Inc.
 122 Charlton Street
 Southbridge, MA 01550
 USA
 Phone: +1 (508) 765-9744
 Fax: +1 (508) 765-1299
 lightingimaging@us.schott.com
 www.us.schott.com/lightingimaging

