

# DCR® III Plus Light Source

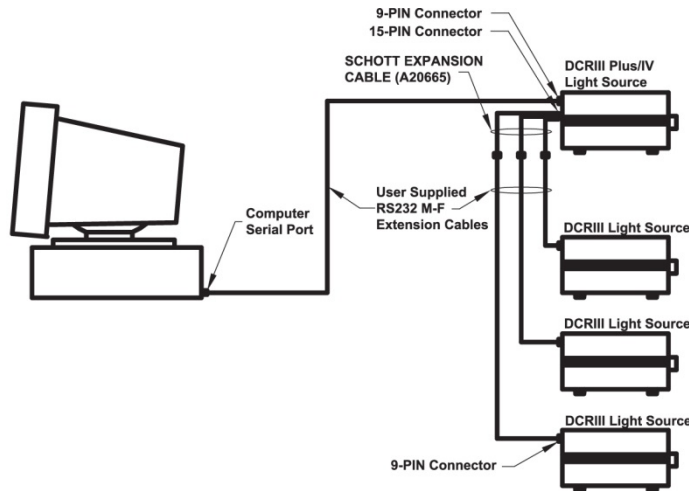
Includes all standard features of the DCR® III, plus a built-in RS232 interface providing intense cool illumination via remote control.



DCR® III Plus Light Source, A20870

## Product and Performance Characteristics

- DC regulated 150 W halogen light source
- Remote controllable using built-in integrated RS232 interface
- Designed to control up to three additional DCR® III units via a built-in 15-pin connector (Expansion cable and DCR® III light sources sold separately)
- Automatically restores user settings on power up
- Enhanced communications available by embedding error checking codes in command strings
- Easy programmability with simple command structure



## DCR® III Plus Light Source Models Standard with US Power Cord

Part. No.	Lamp
A20870	EKE Lamp
A20870.2	DDL Lamp

## DCR® III Plus Light Source Models EU Version – No Power Cord Included

Part. No.	Lamp
A20875	EKE Lamp
A20875.2	DDL Lamp

## Expansion Cable

Part. No.	Lamp
A20665	Triple Cable with Plug 12"

EKE, DDL, lamps and Modulamp units can be purchased separately

## Options

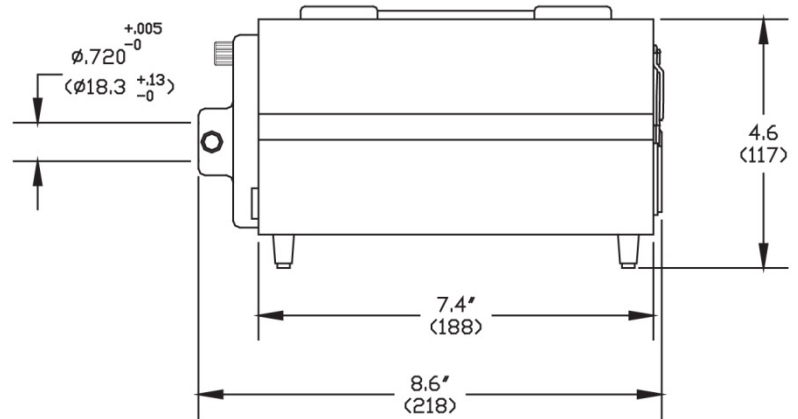
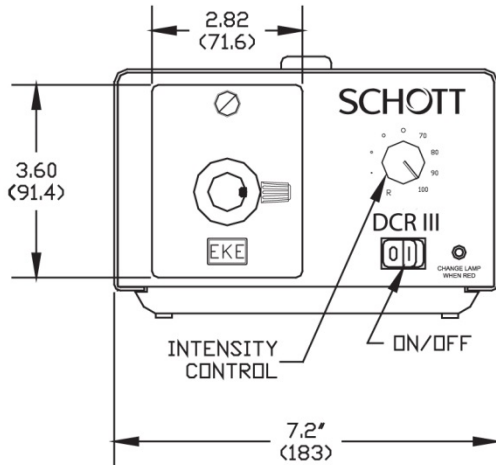
- Infinite setting, twelve blade iris diaphragm version available to reduce intensity while maintaining color temperature
- Expansion cable
- Remote light source

**NOTE:** If the intensity control knob is turned to the R (Remote) position, lamp intensity control is switched to the RS232 interface. Front panel intensity control will always override the remote intensity control. Remote control of attached DCR® III is dependent on each individual unit's setting, which should be in R (Remote) position for remote control.



## Specifications

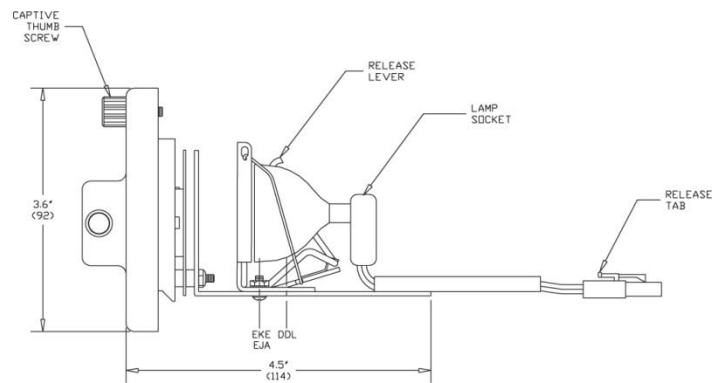
### DCR® III / DCR® III Plus Light Source



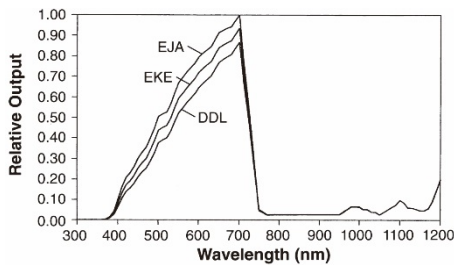
Input: 115/230 VAC – 50/60 Hz, Output: 0–20.5 VDC

Dimensions in ( ) are in mm

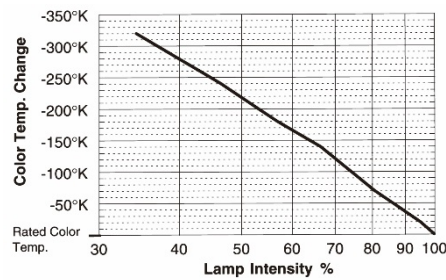
Power Supply Specification	
Rated power output	150 Watts
Output voltage	0.0, 0.5 to 20.5 VDC
Input voltage rating 50/60 Hz	90 to 265 VAC
Power factor correction @ 230 VAC, 50 Hz	> 0.99, < 4°
Hold-up time, nominal AC Input, full load	8.3 milliseconds
Line regulation, over entire input range	± 0.5%
Current limit set point	8.5 Amps
Temperature range operating	0°C to 45°C
Temperature range storage	-25°C to 85°C
Relative humidity, non-condensing	5% to 95%



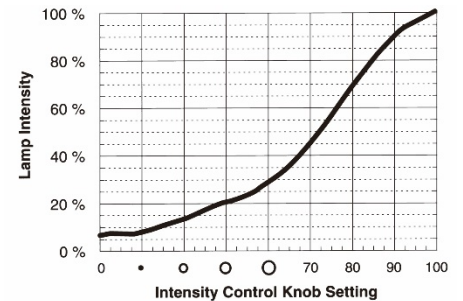
### Spectral Curves w/Interference IR Filter



### Color temperature Change vs. Lamp Intensity



### Lamp Intensity vs. Intensity Control Knob Setting



All specifications are subject to change without prior notice. This datasheet or any extracts thereof may only be used in other publications with express permission of SCHOTT. © SCHOTT North America, Inc.

Lighting and Imaging  
**SCHOTT North America, Inc.**  
 122 Charlton Street  
 Southbridge, MA 01550  
 USA  
 Phone: +1 (508) 765-9744  
 Fax: +1 (508) 765-1299  
 lightingimaging@us.schott.com  
 www.us.schott.com/lightingimaging

**SCHOTT**  
 glass made of ideas