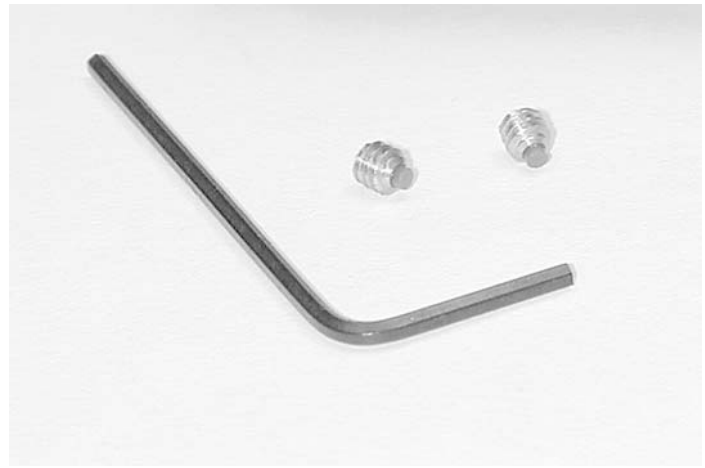


Bundle Extenders

Extends the working length of standard fiber optic components using a SCHOTT bundle and these couplers.



Bundle Extender, A08035



Bundle Extender Nylon tipped Set Screws

Product and Performance Characteristics

- Reduces the requirement for custom fiber optic lengths, can provide the user with additional work space
- Extends length of all standard SCHOTT ringlights, bundles, goosenecks, lightlines, and backlights* that have a .310" (8) or .510" (13) active fiber diameter (see chart)
- Black anodized aluminum with nylon tipped set screws

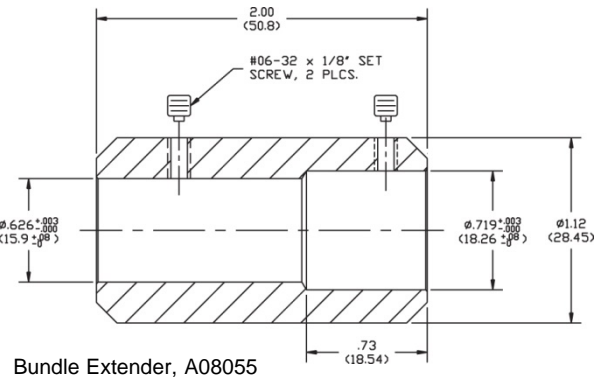
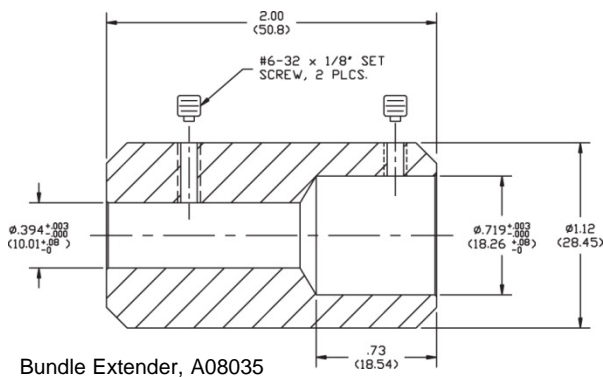
PLEASE NOTE:

- * Using a bundle extender results in a 30-40% light loss. If your application requires maximum intensity, we recommend ordering a modified standard component.
- * Backlight adapter, part number A08931 is required in order for the bundle extender to be used with SCHOTT standard backlights

Bundle Extender

Part No. Bundle Extender	Part No. Single Bundle
A08035	A08031.40 A08031.60 A08031.80 A08031.40R A08031.60R A08031.80R
A08055	A08051.40 A08051.60

Dimensions in () are in mm



Version 01.2017

All specifications are subject to change without prior notice. This datasheet or any extracts thereof may only be used in other publications with express permission of SCHOTT. © SCHOTT North America, Inc.

Lighting and Imaging
SCHOTT North America, Inc.
 122 Charlton Street
 Southbridge, MA 01550
 USA
 Phone: +1 (508) 765-9744
 Fax: +1 (508) 765-1299
 lightingimaging@us.schott.com
 www.us.schott.com/lightingimaging

