

# Maxi Ringlight



Annular ringlight Maxi 150 mm

## Features

- Continuous ring of illumination fiber within housing.
- Housing made of rugged, black anodized aluminum.
- Fiber bundle protected with flexible metal PVC sheathing.
- Large diameter ringlight for mounting to objective 58 mm outer diameter with adaptor (part no. 157 445).

## Benefit

- Absolute shadow-free illumination for large area targets (i.e. SMD).

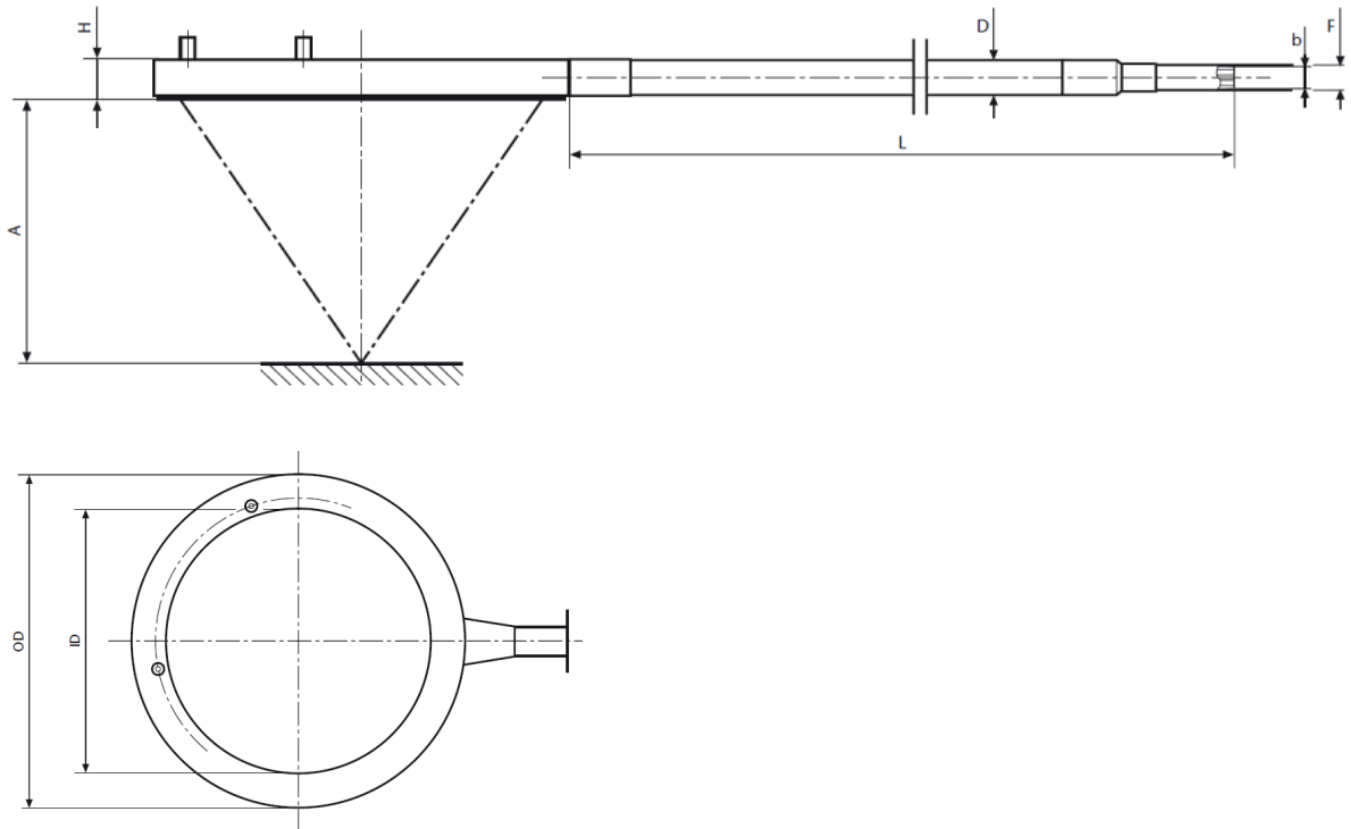
Cold light source**	Part No.	Type	Length	Inner Ø	Outer Ø	Height	Minimum working distance*	Active Ø branch	Outer Ø Jacketing	Light source adapter Ø
			(L)	(ID)	(OD)	(H)	(A)	(b)	(D)	(F)
KL 1500 HAL KL 1600 LED KL 2500 LED KL 2500 LCD	157 440	Slit 150 mm Ø	750 mm 29.53"	150 mm 5.91"	184 mm 7.24"	20 mm 0.79"	40 mm 1.57"	9 mm 0.35"	17 mm 0.67"	10 mm 0.67"

\* Ringlight usable in any working distance above given minimum values.

\*\* and discontinued KL 1500 products (KL 1500 compact, KL 1500 LCD, KL 1500 LED, KL 1500 LED Plus)

Objective adaptor	Part No.
Ø 58 mm	157 445

# Maxi Ringlight



All specifications are subject to change without prior notice. This datasheet or any extracts thereof may only be used in other publications with express permission of SCHOTT. © SCHOTT North America, Inc.

SCHOTT North America, Inc.  
**Lighting and Imaging**  
122 Charlton Street  
Southbridge, MA 01550 USA  
phone: +1-508-765-3211  
fax: +1-508-764-6273  
lightingimaging@us.schott.com  
www.us.schott.com/lightingimaging

**SCHOTT**  
glass made of ideas