

Maxi Ringlight



Annular ringlight Maxi 150 mm

Features

- Continuous ring of illumination fiber within housing.
- Housing made of rugged, black anodized aluminum.
- Fiber bundle protected with flexible metal PVC sheathing.
- Large diameter ringlight for mounting to objective 58 mm outer diameter with adaptor (part no. 157 445).

Benefit

- Absolute shadow-free illumination for large area targets (i.e. SMD).

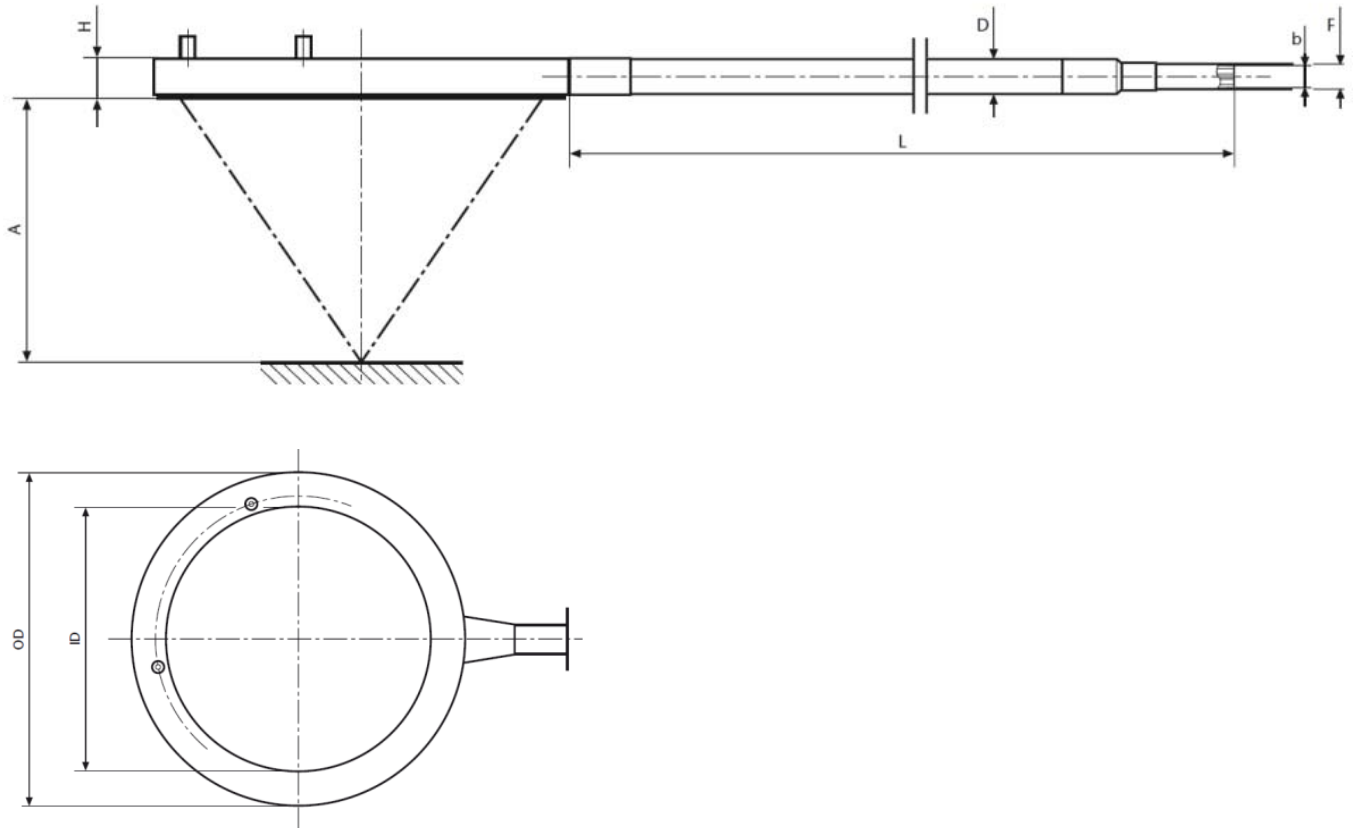
Cold light source**	Part No.	Type	Length	Inner Ø	Outer Ø	Height	Minimum working distance*	Active Ø branch	Outer Ø Jacketing	Light source adapter Ø
			(L)	(ID)	(OD)	(H)	(A)	(b)	(D)	(F)
KL 1500 HAL KL 1600 LED KL 2500 LED KL 2500 LCD	157 440	Slit 150 mm Ø	750 mm 29.53"	150 mm 5.91"	184 mm 7.24"	20 mm 0.79"	40 mm 1.57"	9 mm 0.35"	17 mm 0.67"	10 mm 0.67"

* Ringlight usable in any working distance above given minimum values.

** and discontinued KL 1500 products (KL 1500 compact, KL 1500 LCD, KL 1500 LED, KL 1500 LED Plus)

Objective adaptor	Part No.
Ø 58 mm	157 445

Maxi Ringlight



All specifications are subject to change without prior notice. This datasheet or any extracts thereof may only be used in other publications with express permission of SCHOTT. © SCHOTT North America, Inc.

SCHOTT North America, Inc.
Lighting and Imaging
122 Charlton Street
Southbridge, MA 01550 USA
phone: +1-508-765-3211
fax: +1-508-764-6273
lightingimaging@us.schott.com
www.us.schott.com/lightingimaging

SCHOTT
glass made of ideas