

# Diffusing Ringlight



Diffusing Ringlight 66 mm

## Features

- Continuous wide ring of a white acrylic diffuser plate within the housing.
- Mounts directly to 66 mm objective by means of thumb screw.
- Housing made of rugged, black anodized aluminum.
- Fiber bundle protected with flexible metal PVC sheathing.

## Benefit

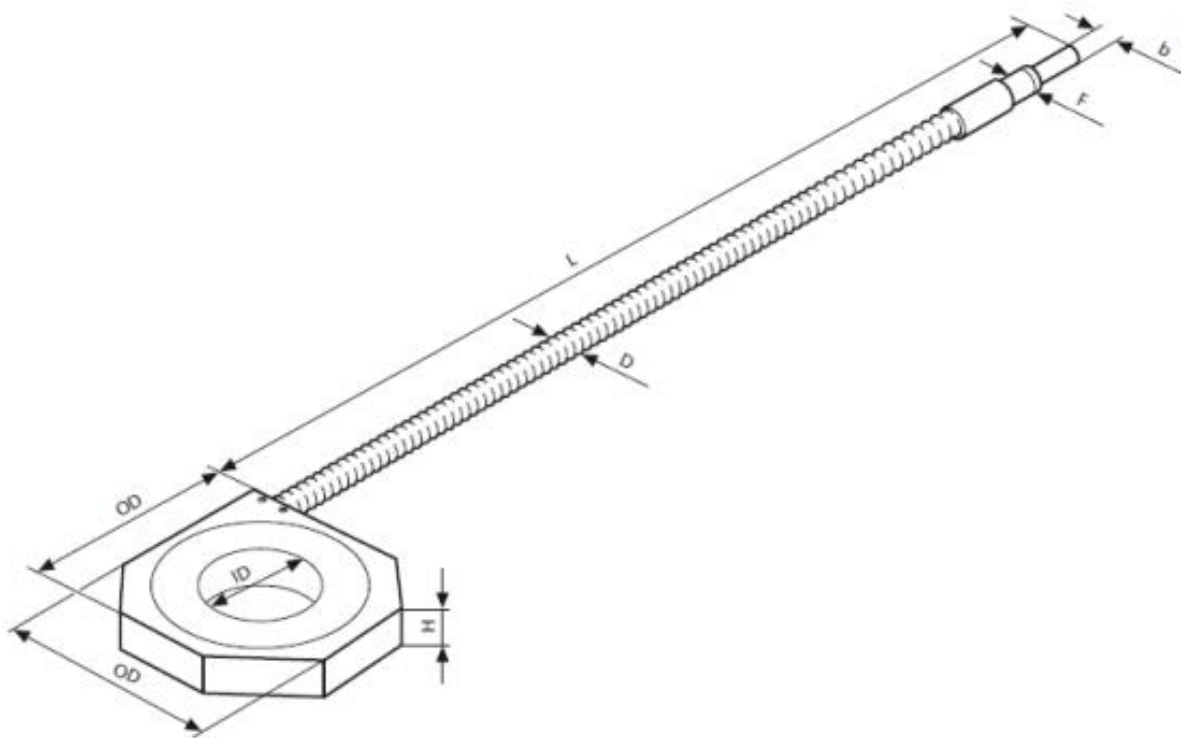
- Shadow-free illumination of polished or high reflective surfaces.

Cold light source**	Part No.	Type	Length	Inner Ø	Outer Ø	Height	Minimum working distance*	Active Ø branch	Outer Ø Jacketing	Light source adapter Ø
			(L)	(ID)	(OD)	(H)	(A)	(b)	(D)	
KL 1500 HAL KL 1600 LED KL 2500 LED KL 2500 LCD	500 200	66 mm Ø	1000 mm 39.37"	66 mm 2.64"	137 mm 5.48"	32 mm 1.28"	30 mm	9 mm 0.36"	15 mm 0.60"	10 mm 0.39"

\* Ringlight usable in any working distance above given minimum values.

\*\* and discontinued KL 1500 products (KL 1500 compact, KL 1500 LCD, KL 1500 LED, KL 1500 LED Plus)

## Diffusing Ringlight



All specifications are subject to change without prior notice. This datasheet or any extracts thereof may only be used in other publications with express permission of SCHOTT. © SCHOTT North America, Inc.

SCHOTT North America, Inc.  
**Lighting and Imaging**  
6862 Santa Teresa Blvd.  
San Jose, CA 95119 USA  
phone: +1-408-363-2100  
fax: +1-408-363-9980  
microscopy@us.schott.com  
www.us.schott.com/lightingimaging

**SCHOTT**  
glass made of ideas