

ACE® Light Source

Rugged AC halogen light source



ACE® Light Source with EKE Lamp, A20500

Product and Performance Characteristics

Compact, rugged, AC halogen light source with solid state dimmer for variable light intensity and maximizing lamp life.

- Solid state dimmer for continuous control zero to full intensity
- Heavy duty, grounded metal housing
- 115V or 230V input voltage versions available
- IR interference filter for cool illumination
- Full illumination on .60" active diameter input ColdVision light guides
- Interchangeable Modulamp Units offer 2 positions to maximize individual lamp efficiencies
- Choice of two, 150 watt halogen lamps – EKE and DDL for intense, uniform illumination. These three different bulbs offer light intensity and color temperature options to maximize productivity and accuracy.
- Built-in thermal shut down
- Quiet fan cooling
- CSA approved to UL spec, CE compliant to low voltage and EMC directives
- Low housing temperature
- Detachable IEC cord

Options

- Private labeling available.
- Infinite setting, twelve blade iris diaphragm version available to reduce intensity while maintaining color temperature.

ACE® Light Source Models

Light Source Models	Part. No.	Lamp
115 Volts	A20500	EKE Lamp
115 Volts	A20500.2	DDL Lamp
115 Volts	*A20500.115	No Lamp
230 Volts	A20510	EKE Lamp
230 Volts	A20510.2	DDL Lamp
230 Volts	*A20510.230	No Lamp

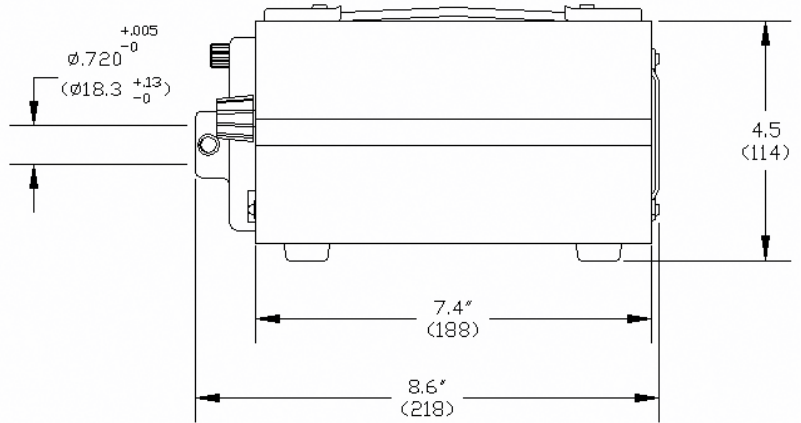
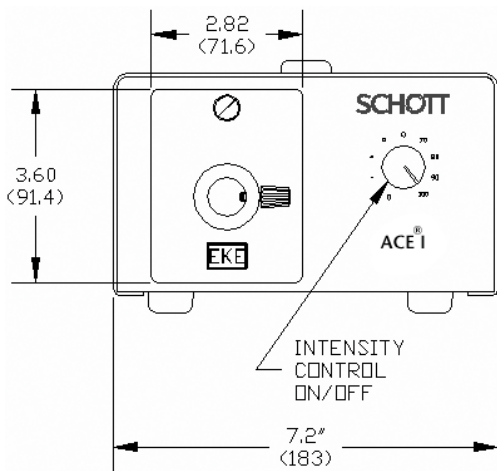
*Custom Order. Lamps can be purchased separately (EKE, DDL and Modulamp units)



Modulamp Unit with Iris Diaphragm

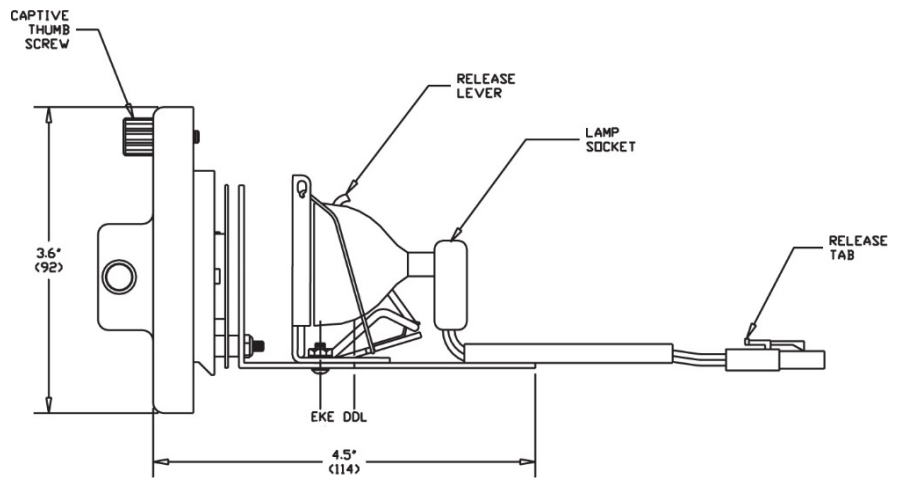
Two positions optimize light intensity output, depending on the lamp in use. Entire housing is interchangeable for quick setup.



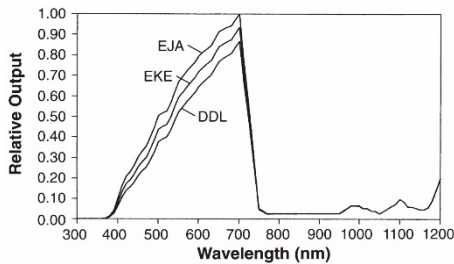


Dimensions in () are in mm
 Input: 115 VAC/60 Hz, 230 VAC/50/60 Hz, Output: 0-21 VAC

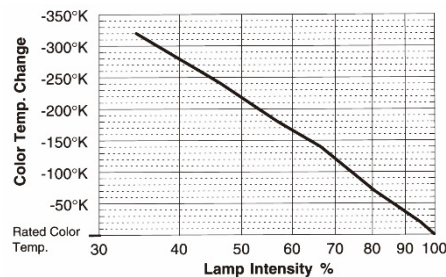
Power Supply Specification	
Power Consumption	120 Watts (nominal)
Output Voltage	0-21 VAC
Fiber Receptacle	0.72" (13.3 mm)
Input Voltage	115 VAC / 60 Hz 115 230 VAC / 50/60 Hz 60 Hz
Temperature Range Operating	0°C to 50°C



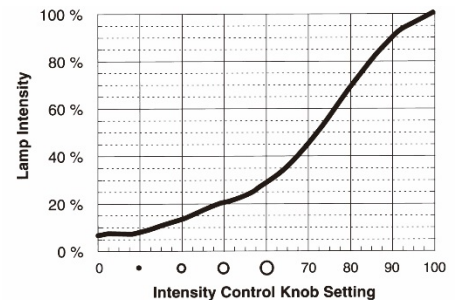
Spectral Curves w/Interference IR Filter



Color temperature Change vs. Lamp Intensity



Lamp Intensity vs. Intensity Control Knob Setting



All specifications are subject to change without prior notice. This datasheet or any extracts thereof may only be used in other publications with express permission of SCHOTT. © SCHOTT North America, Inc.

Lighting and Imaging
SCHOTT North America, Inc.
 122 Charlton Street
 Southbridge, MA 01550
 USA
 Phone: +1 (508) 765-9744
 Fax: +1 (508) 765-1299
 lightingimaging@us.schott.com
 www.us.schott.com/lightingimaging

