

VisiLED Darkfield Lightheads

Illumination system specially developed for stereo microscopy and microscopy applications



Darkfield ringlight, P/N 400 300 with adaptor P/N 400 500



Transmitted darkfield light stage, P/N 400 350



Extension adaptors for darkfield ringlight

Features

- Easily adaptable to microscope objectives by means of thumb screw and adaptor rings.
- Homogenous illumination.
- Best white quality: typically 6,000 K.
- Long operating life: typically 50,000 h by actively controlling the LED chip temperature.
- Segments controllable in different preset modes for optimum contrasting:



| Ringlights and Accessories | | | | | |
|--|----------|-----------------------|-------------------------|----------------------|----------------|
| Description | Part-No. | Working distance (WD) | Max. Illuminance | Inner Ø | Outer Ø |
| LED Darkfield ringlight "S40-10D" | 400 300 | 5–15 mm (0.20"–0.59") | 130 klx (10 mm) (0.39") | 66 mm (2.60") | 118 mm (4.65") |
| Transmitted darkfield light stage "TLS-DF" | 400 350 | N/A | | active 50 mm (1.97") | 84 mm (3.31") |

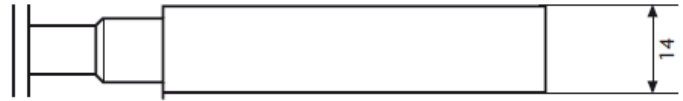
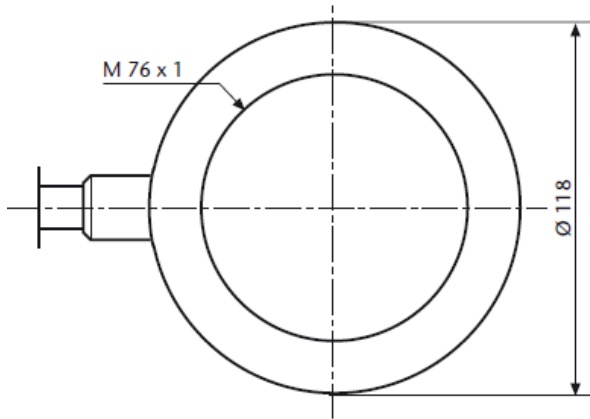
Accessories VisiLED Darkfield Lightheads

| Description | Part-No. |
|---|----------|
| Combi-Kit to combine one brightfield and the darkfield incident ringlight for mixed illumination techniques | 400 500 |
| Darkfield adaptor | 400 510 |

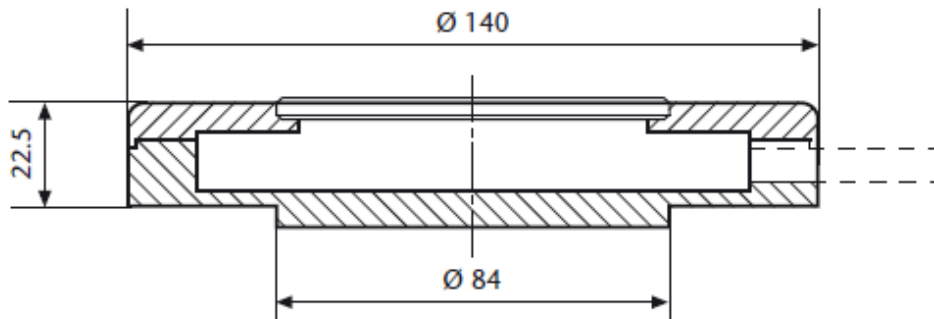
Version 09/2014



VisiLED Darkfield Lightheads



Darkfield ringlight, P/N 400 300



Transmitted darkfield light stage, P/N 400 350

| Adapting diameter 66 mm | | |
|--|-----------|--------|
| | Part. No. | Length |
| Extension adaptor for objective working distance 30 – 50 mm | 157 569 | 30 mm |
| Extension adaptor for objective working distance 50 – 80 mm | 157 567 | 50 mm |
| Extension adaptor for objective working distance 80 – 110 mm | 157 562 | 75 mm |

All specifications are subject to change without prior notice. This datasheet or any extracts thereof may only be used in other publications with express permission of SCHOTT. © SCHOTT North America, Inc.

SCHOTT North America, Inc.
Lighting and Imaging
 122 Charlton Street.
 Southbridge, MA 01550 USA
 phone: +1-508-765-3211
 fax: +1-508-764-6273
 lightingimaging@us.schott.com
 www.us.schott.com/lightingimaging

SCHOTT
 glass made of ideas