

MLS – Microscopy LED Light Source

Longer Life, Lower Energy Consumption, Higher Performance, Compact Design



MLS Light Source, A20400

MLS Light Source Models

| Part Number | Color | Light Output* |
|-----------------|--|---------------|
| A20400/ 6000 | White – 6000 K | > 360 lm |
| A20410 | Handheld Remote (On/Off, pulse, intensity control) | |
| A20411 | Remote Footswitch (On/Off) | |
| A20420 | Pedestal Mount | |
| A20421 | Adapter KL 200/300 | |

*Light output specifications are measured with a 1 m long, 13 mm diameter bundle (A0851.40 bundle)

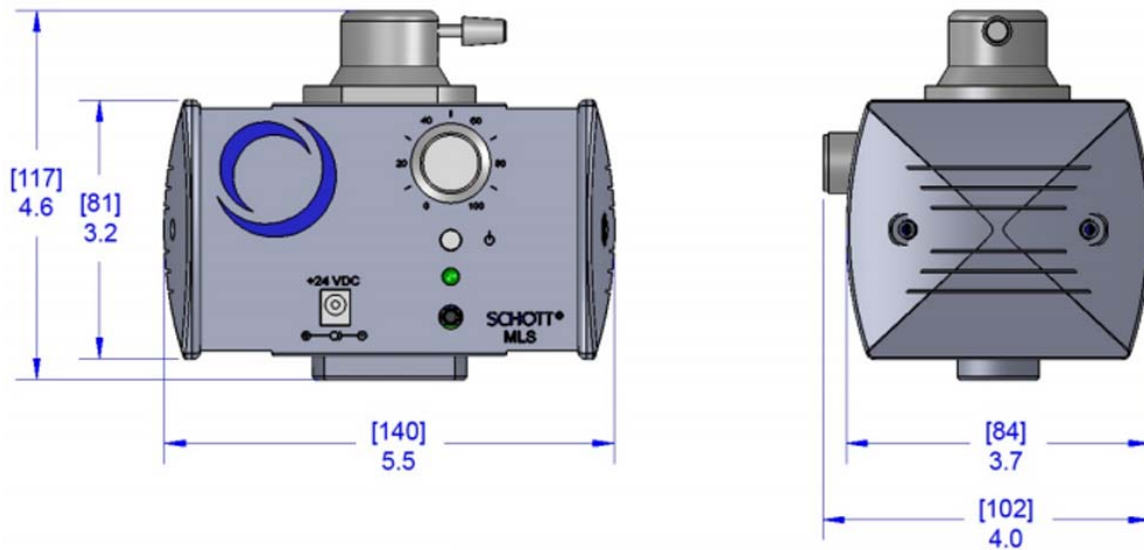
Product and Performance Characteristics

The SCHOTT MLS offers several advantages over other types of fiber optic light sources used in microscopy & static machine vision applications, including:

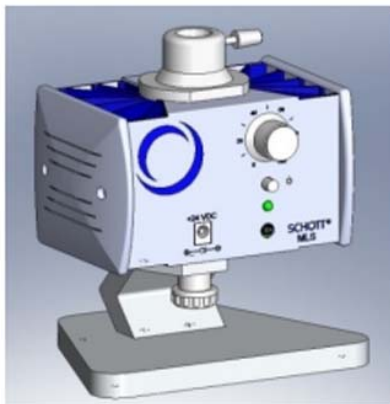
- Long-life of LED light engine
- Fan-less vibration free operation
- Fits all COLDVision light guides
- Stable light output with minimal variation in color temperature
- Low power consumption (~18 watts)
- Small footprint and world-wide, universally compatible power supply with interchangeable plugs
- Optional light On/Off control via handheld remote or footswitch. Handheld remote also controls light output intensity.
- Mounting Options: (available separately)
 - Pedestal Mount
 - Post Mounts via KL200 LED Series
- Temperature monitoring for protection of the LED light engine
- RoHS compliant & CE Approved
ESD outlet connection.

| Characteristics | |
|-----------------------|--|
| Dimensions | Length: 102 mm (4 inches) Width: 140 mm (5.5 inches) Height: 117 mm (4.6 inches) |
| Weight | 0.8 kg (1.7 lbs) |
| Operating Temperature | 5° C (41° F) to 40° C (104° F) |
| Color Temperature | 6000 K |
| Power Consumption | ~ 18 Watts |

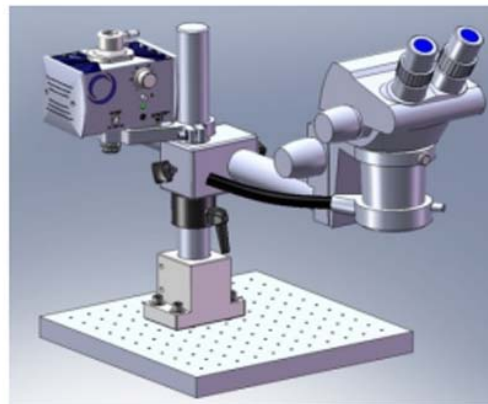
Dimensions in inches and [mm]



Mounting Options



Pedestal Mount



Adapter & KL200 LED Boom Stand Bracket

All specifications are subject to change without prior notice. This datasheet or any extracts thereof may only be used in other publications with express permission of SCHOTT. © SCHOTT North America, Inc.

Lighting and Imaging
SCHOTT North America, Inc.
 122 Charlton Street
 Southbridge, MA 01550
 USA
 Phone: +1 (508) 765-9744
 Fax: +1 (508) 765-1299
 lightingimaging@us.schott.com
 www.us.schott.com/lightingimaging

SCHOTT
 glass made of ideas