

# Jumbo Ringlight



Annular ringlight Jumbo 66 mm

## Features

- Continuous ring of illumination fiber within the housing.
- Active diameter of the bundle is using the entire focal diameter of the 250 watt halogen bulb.
- Mounts directly to 66 mm objective by means of thumb screw.
- Housing made of rugged, black anodized aluminum.
- Fiber bundle protected with flexible metal PVC sheathing.

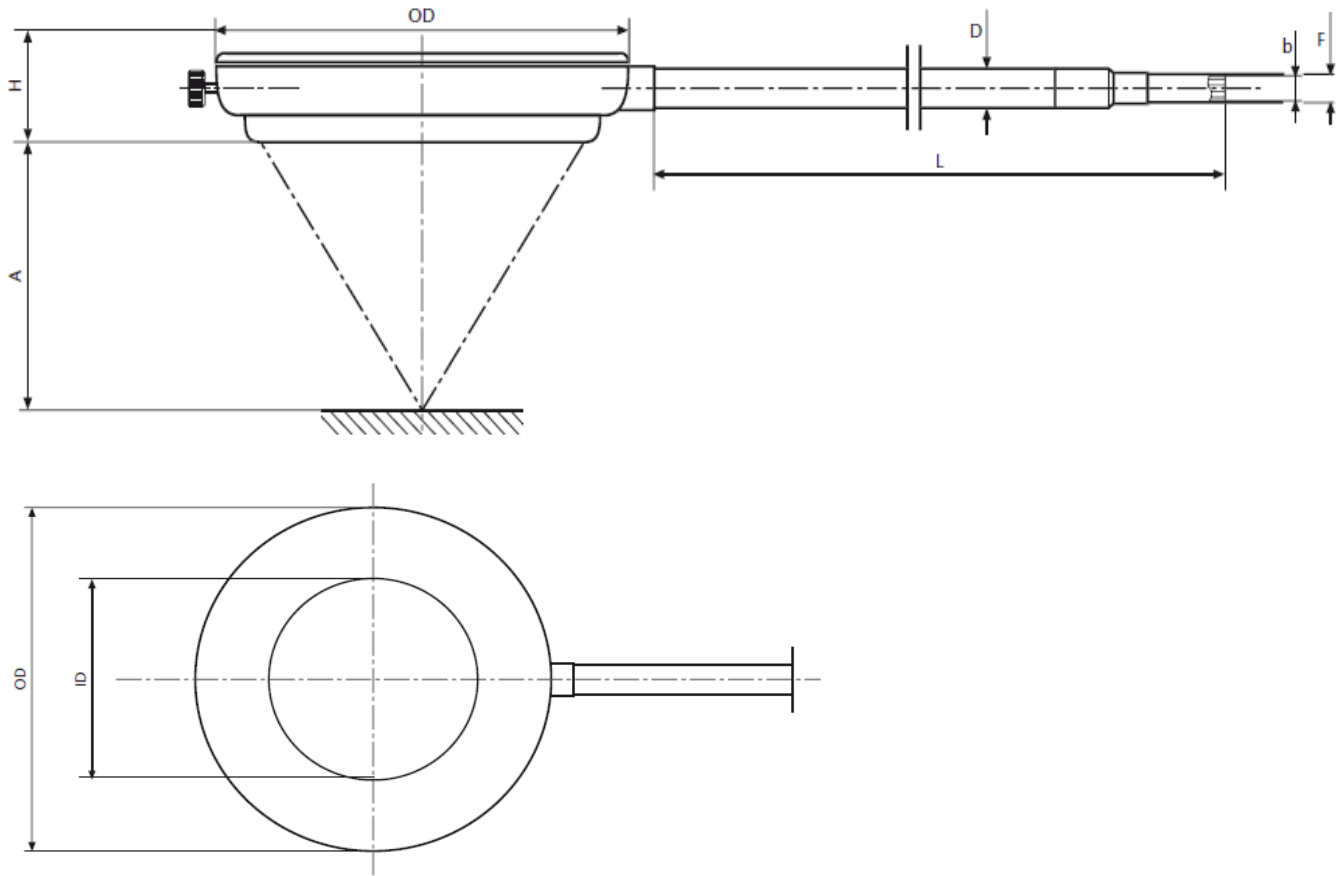
## Benefits

- Absolute shadow-free illumination for large area targets (i.e. SMD).
- The Jumbo ringlight in connection with the KL 2500 LCD delivers 300% more light as the standard ringlight with KL 1500 LCD.
- Large area fluorescence illumination.

| Cold light source | Part No. | Type            | Length            | Inner Ø        | Outer Ø         | Height         | Minimum working distance* | Active Ø branch | Outer Ø Jacketing | Light source adapter Ø |
|-------------------|----------|-----------------|-------------------|----------------|-----------------|----------------|---------------------------|-----------------|-------------------|------------------------|
|                   |          |                 | (L)               | (ID)           | (OD)            | (H)            | (A)                       | (b)             | (D)               | (F)                    |
| KL 2500 LCD only  | 257 420  | Slit<br>66 mm Ø | 1000 mm<br>43.48" | 66 mm<br>2.60" | 120 mm<br>4.72" | 36 mm<br>1.44" | 25 mm<br>0.98"            | 12 mm<br>0.47"  | 20 mm<br>0.80"    | 17 mm<br>0.67"         |

\* Ringlight usable in any working distance above given minimum values.

# Jumbo Ringlight



All specifications are subject to change without prior notice. This datasheet or any extracts thereof may only be used in other publications with express permission of SCHOTT. © SCHOTT North America, Inc.

SCHOTT North America, Inc.  
**Lighting and Imaging**  
 122 Charlton Street  
 Southbridge, MA 01550 USA  
 phone: +1-508-765-3211  
 fax: +1-508-764-6273  
[lightingimaging@us.schott.com](mailto:lightingimaging@us.schott.com)  
[www.us.schott.com/lightingimaging](http://www.us.schott.com/lightingimaging)

