

Randomized and Calibrated Bundles

Designed to increase uniformity of light output.



Quad Randomized & Calibrated Bundle, A21045



Single Bundle, A08031.60R

Product and Performance Characteristics

- Fibers are randomized to improve spot uniformity, bundles with multiple outputs are calibrated for matching output within ~5% bundle to bundle
- We assure consistency by adding a 12" (305mm)* randomized common end at the input. This extra 12" (305) of fiber scrambles the light, distributing any hot or cold spots from the lamp throughout each of the legs.
- Variety of standard sizes and bundle multi-leg configurations with tight bending radius for easy routing (see chart)
- Multi-leg bundles are illuminated with one light source
- Standard output ferrules accept spot lenses and polarizing caps (see the Accessories section)
- Modified standard and custom configurations are available

Randomized Bundle Specifications

Part No.	Configuration	Active Input Fiber Diameter	Distal Ferrule Diameter	Tubing Diameter	Bundle Length
A08031.40R	Single	.30"(8)	.393" (10)	47" (12)	40" (1016)
* A08031.60R	Single	.30"(8)	.393" (10)	47" (12)	60" (1524)
* A08031.80R	Single	.30"(8)	.393" (10)	47" (12)	80" (2032)

* Made-to-order products

Randomized and Calibrated Bundle Specifications - 12"(305) Common Bundle Length

Part No.	Configuration	Active Input Fiber Diameter	Distal Ferrule Diameter	Tubing Diameter	Bundle Length
A21040	Dual	.36" (9)	.393" (10)	.60" (15)	48"(1219)
A21045	Quad	.51" (13)	.393" (10)	.83"(21)	48"(1219)
A21050	Dual	.43" (11)	.393" (10)	.67"(17)	48"(1219)

Dimensions in () are in mm

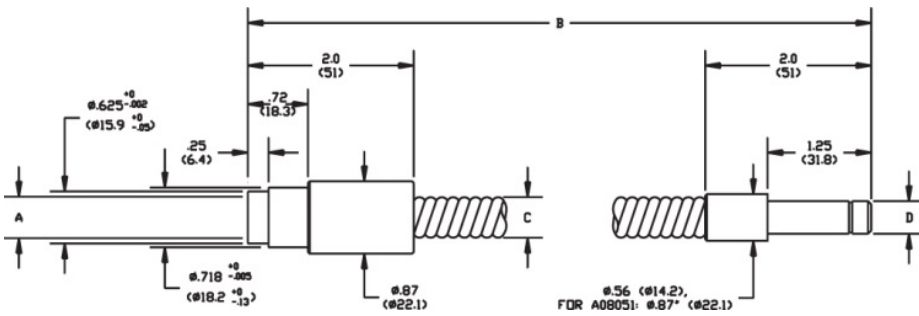


Matrix for A08031.40R – A08031.80R

Part No.	A	B	C	Bend Radius	D
A08031.40R	.30" (78)	40" (1016)	.47" (12)	.6" (15)	.393" (10)
A08031.60R	.30" (78)	60" (1524)	.47" (12)	.6" (15)	.393" (10)
A08031.80R	.30" (78)	80" (2032)	.47" (12)	.6" (15)	.393" (10)

Matrix for A21040 & A21050

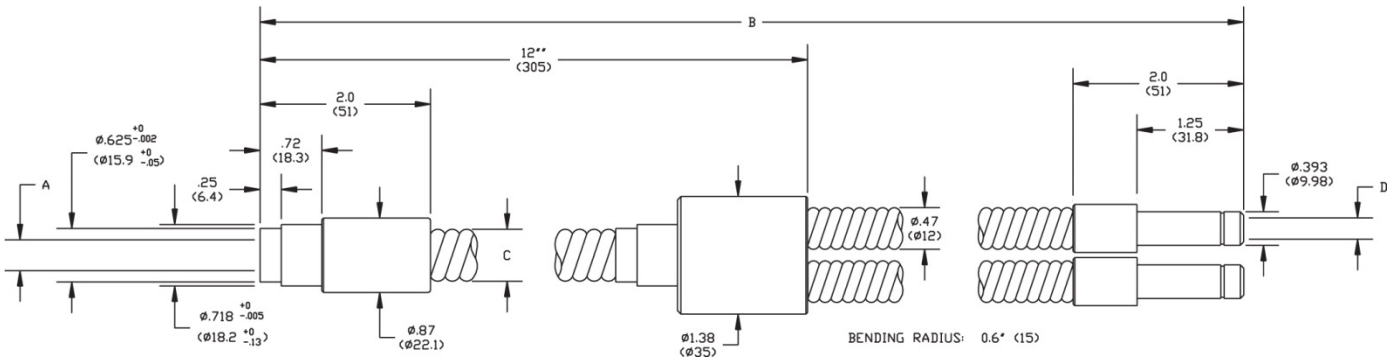
Part No.	A	B	C	Bend Radius	D
A21040	.36" (9)	48" (1219)	.60" (15)	1.0" (25)	.25" (6.4)
A21050	.43" (11)	48" (1219)	.67" (17)	1.2" (30)	.30" (7.6)



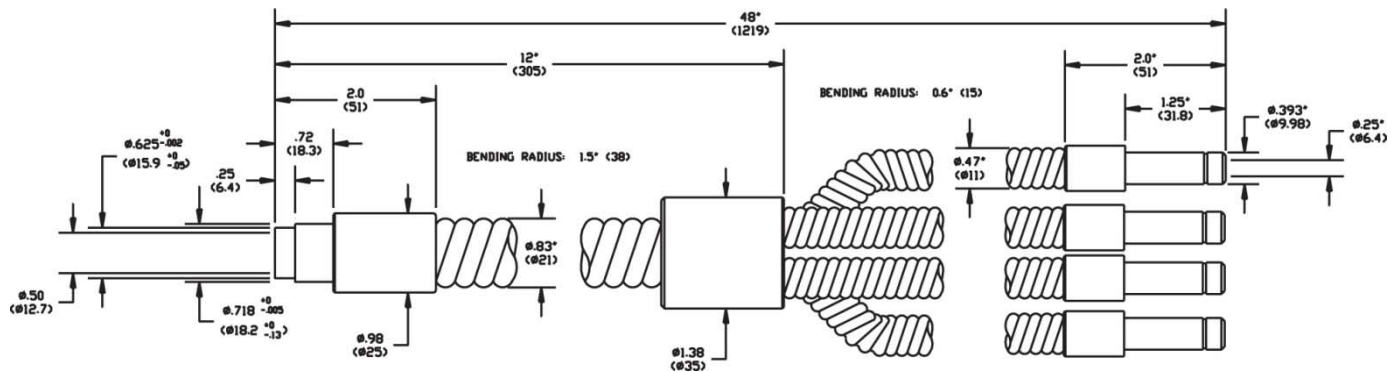
Dimensions in () are in mm

Warning : This product is manufactured with glass fiber. Not for use in cable/hose carrier. Call SCHOTT to discuss moving cable/hose carrier applications.

Single Randomized Bundle, A08031.40R



Dual Randomized & Calibrated Bundle, A21040 – A21050



Quad Randomized & Calibrated Bundle, A21045

Lighting and Imaging
SCHOTT North America, Inc.
 122 Charlton Street
 Southbridge, MA 01550
 USA

Phone: +1 (508) 765-9744
 Fax: +1 (508) 765-1299
 lightingimaging@us.schott.com
 www.us.schott.com/lightingimaging

All specifications are subject to change without prior notice. This datasheet or any extracts thereof may only be used in other publications with express permission of SCHOTT. © SCHOTT North America, Inc.

