

# KL 1600 LED

A benchmark in the field of LED light sources



KL 1600 LED

The KL 1600 LED is a fiberoptical light source with a multiple LED light engine, designed for industrial and life science applications in stereo microscopy and macroscopy as well as for all applications that require a flexible output of light.

The KL 1600 LED plays with the broad range of SCHOTT fiber optic light guides and accessories of the KL 1500 series.

The brightness of 680 lm at the end of a flexible 9 mm Ø light guide is equivalent to a 150 W halogen cold light source while the electrical power consumption is less than 40 W.

## Features:

- Multiple white LED light engine
- Continuous dimming from 0 to 100%
- Compact high quality housing with integrated handle
- Small footprint and additional iron ballast for stability when use with goosenecks
- Filter slider with two positions (filter can remain in the light source even if it is not used)
- Easy to use fixture mechanism with clamping screw
- Comprehensive range of light guides and accessories available (KL 1500 series)
- Ultra low noise fan for ergonomic use in the laboratory
- Ripple free DC illumination

| General data                 |               |                                    |
|------------------------------|---------------|------------------------------------|
| Part-No.                     |               | 150 600                            |
| Dimensions (W x D x H)       | (mm) / (inch) | 114 x 231 x 4.5" x 137/9.1" x 5.4" |
| Weight                       | (kg)          | Approx. 2.45                       |
| Cooling                      |               | Ultra low noise fan                |
| Electrical data              |               |                                    |
| Operating voltage, frequency |               | 90 – 264 V ~, 47 – 63 Hz           |
| Input voltage                | (V)           | 24 V                               |
| Power consumption            | (VA)          | max. 37                            |
| Protection class             |               | II                                 |
| Overvoltage category         |               | II                                 |
| LEDs                         |               | 9 High-Power-LED white             |
| Average LED life time        | (h)           | 50,000 <sup>1</sup>                |
| Illumination data            |               |                                    |
| Luminous flux                | (lm)          | 680 <sup>2</sup>                   |
| Color temperature            | (K)           | Approx. 5,600                      |
| Light control                |               | Electrical                         |
| Active light guide diameter  | (mm) / (inch) | Max. 9/max. 0.35"                  |
| Certification marks          |               |                                    |
| Marking / Approval           | <b>CE</b>     | (power supply: CE, UL, PSE)        |
| EMV-class                    | B             |                                    |

Note: country specific power cord must be ordered separately!

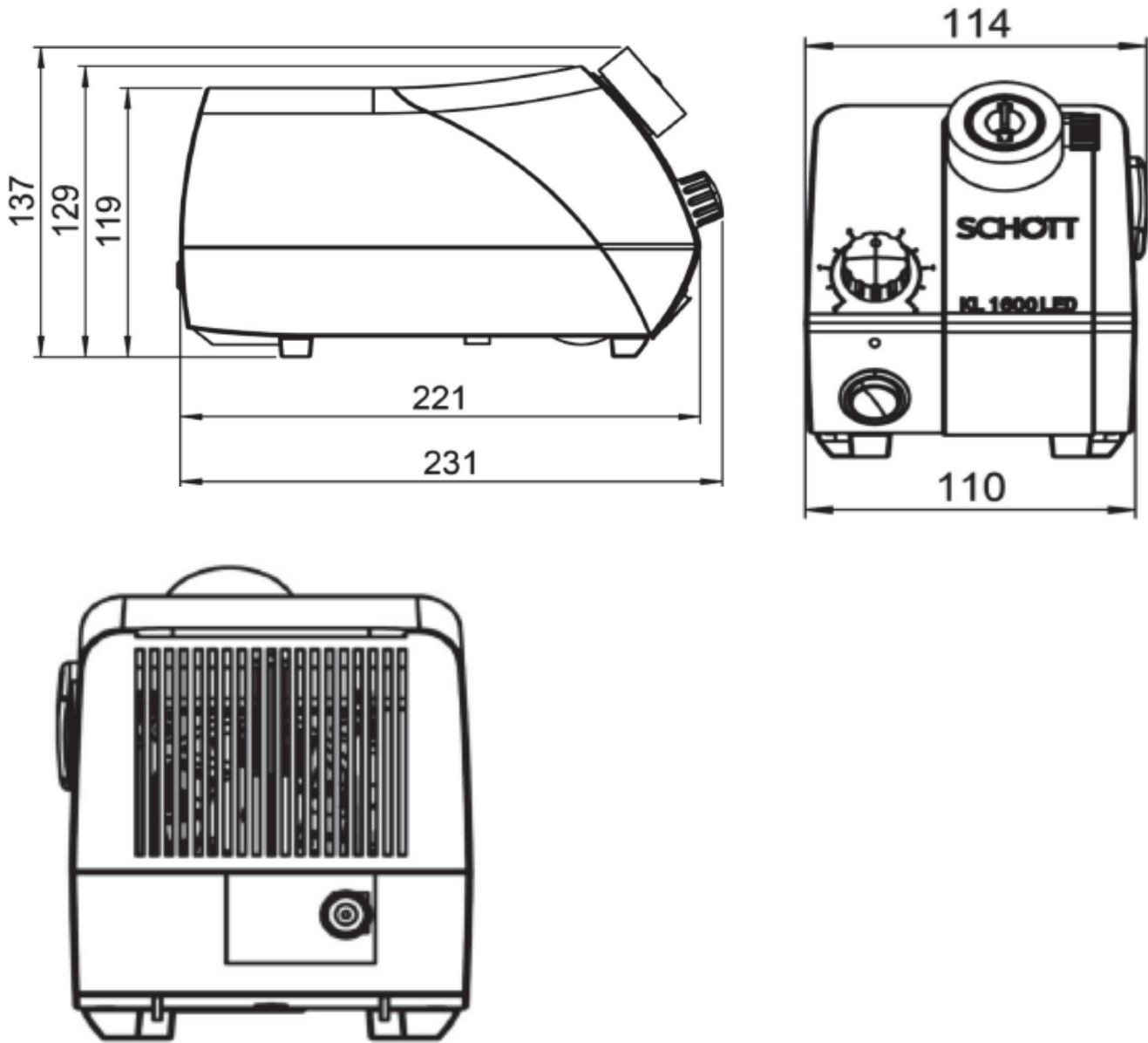
| Power cords                 | Part-No. |
|-----------------------------|----------|
| IEC cord with European plug | 400 051  |
| IEC cord with US plug       | 400 052  |
| IEC cord with UK plug       | 400 053  |
| IEC cord with Swiss plug    | 400 054  |

<sup>1</sup> max. decline of light output to 70% of origin level

<sup>2</sup> at the output of SCHOTT fiber optic light guide, 1-arm, flexible, Ø 9 mm active, length 1000 mm



KL 1600 LED



All specifications are subject to change without prior notice. This datasheet or any extracts thereof may only be used in other publications with express permission of SCHOTT. © SCHOTT North America, Inc.

SCHOTT North America, Inc.  
**Lighting and Imaging**  
122 Charlton Street  
Southbridge, MA 01550 USA  
phone: +1-508-765-3211  
fax: +1-508-764-6273  
lightingimaging@us.schott.com  
www.us.schott.com/lightingimaging

