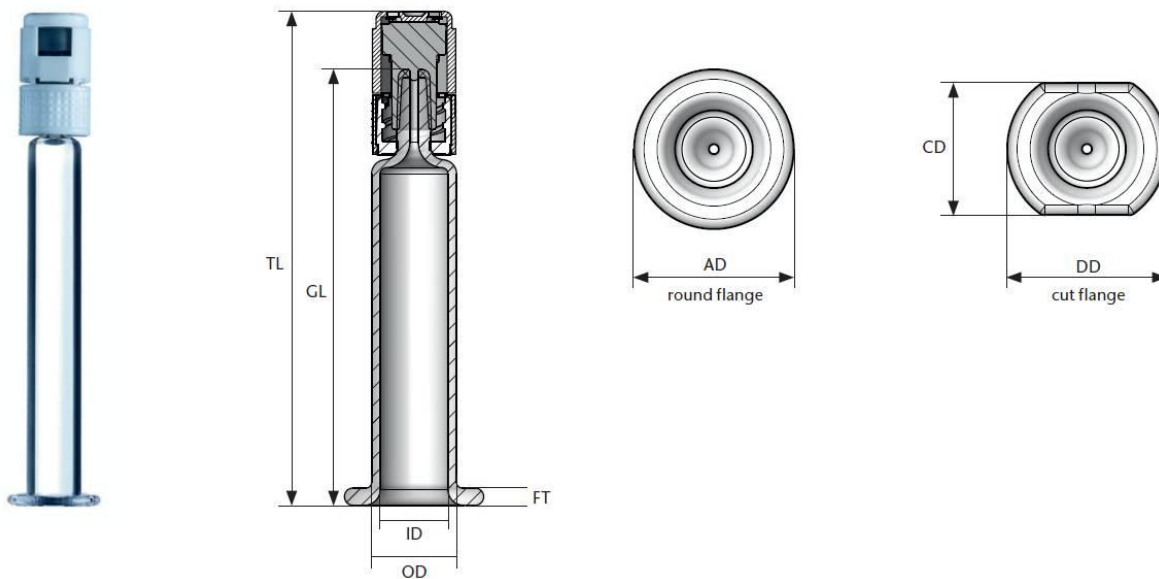


# syriQ™ Luer Lock OVS® Syringes



Format in mm	Total Length (TL)	Glass Barrel (GL)	Inside Diameter (ID)	Outside Diameter (OD)	Flange Thickness (FT)	Flange (DD)	Flange (CD)	Flange (AD)
1.0 ml long	73.9	65.7	Ø 6.35	Ø 8.15	1.9	Ø 13.8	Ø 11.0	Ø 13.8
3.0 ml	92.4	84.3	Ø 8.65	Ø 10.85	2.2	Ø 17.75	Ø 14.7	Ø 17.75



OVS®



Dätwyler FM 27  
West 7025