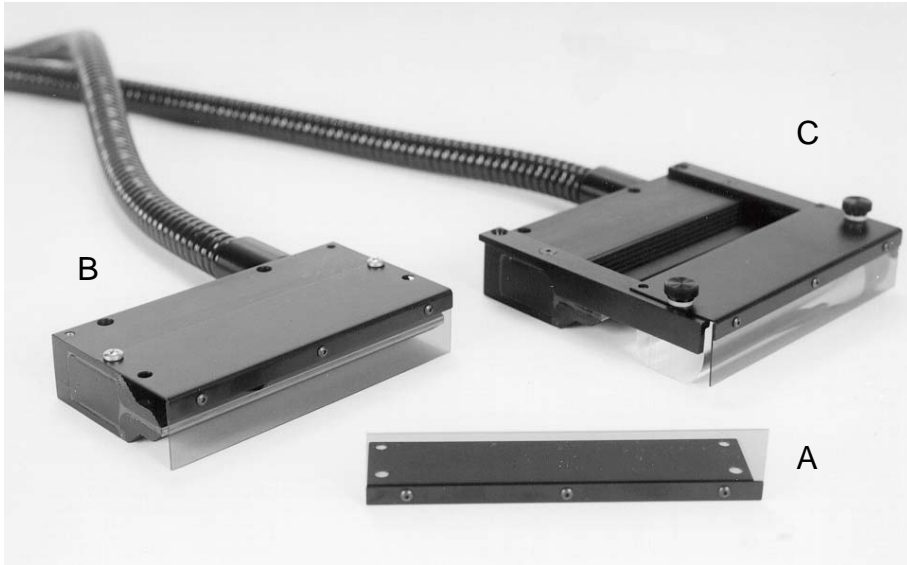


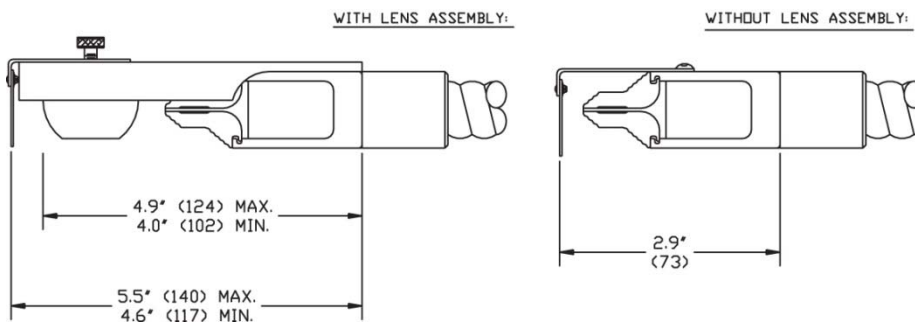
Lightline Linear Polarizer Kits



(A) Lightline polarizer assembly, A08845,
 (B) Polarizer affixed to a 5" lightline,
 (C) Polarizer affixed to a cylindrical lens
 on a lightline

Product and Performance Characteristics

- Developed for use with 3" to 16" (227 to 406 mm) lightlines to enhance contrast on highly reflective surfaces for area and line scanning applications
- Easily mount on SCHOTT lightlines alone or with cylindrical and apertured lenses affixed to the lightline
- Polarizer(s) should be used with an analyzer supplied by the customer which is typically attached to the camera objective
- Two polarizers are included in the kit; one polarizes in the horizontal axis and the other polarizes in the vertical axis
- Most options are made-to-order or custom



Dimensions in () are in mm

Lightline Part No.	Polarizer Kits Part No.
A08903	Custom
A08904	*A08844
A08906	Custom
A08908	Custom
A08910	Custom
A08912	Custom
A08914	Custom
A08916	Custom
A08975	Custom
* Made-to-order product	

Version 01.2016

All specifications are subject to change without prior notice. This datasheet or any extracts thereof may only be used in other publications with express permission of SCHOTT. © SCHOTT North America, Inc.

Lighting and Imaging
SCHOTT North America, Inc.
 122 Charlton Street
 Southbridge, MA 01550
 USA
 Phone: +1 (508) 765-9744
 Fax: +1 (508) 765-1299
 lightingimaging@us.schott.com
 www.us.schott.com/lightingimaging

