

Combination Goosenecks and Bundles

Obedient, incident illumination for space constrained applications.



Combination Gooseneck, Bundle, and Bracket, A08512 for Olympus SZX Series Microscopes

Combination Dual Gooseneck with Bundle, A08520.60

Bundle Input: Black Anodized Aluminium
 Bundle Sheathing: PVC Covered Metal Tubing
 Gooseneck Sheathing: Chrome Plated Steel

Product and Performance Characteristics

- Bundle sheathing is made of PVC covered metal tubing and the gooseneck is made of semi-obedient, chrome-plated metal gooseneck tubing
- Bend radius of the chrome gooseneck tubing is 2-3" (51 - 76)*
- Easily adjustable, precise positioning offers complete control of light placement
- Dual models illuminate a workspace with a single light source
- Gooseneck legs placed in opposing positions create shadow-free illumination
- Modified standard and custom configurations are available

Combination Goosenecks and Bundles Specifications

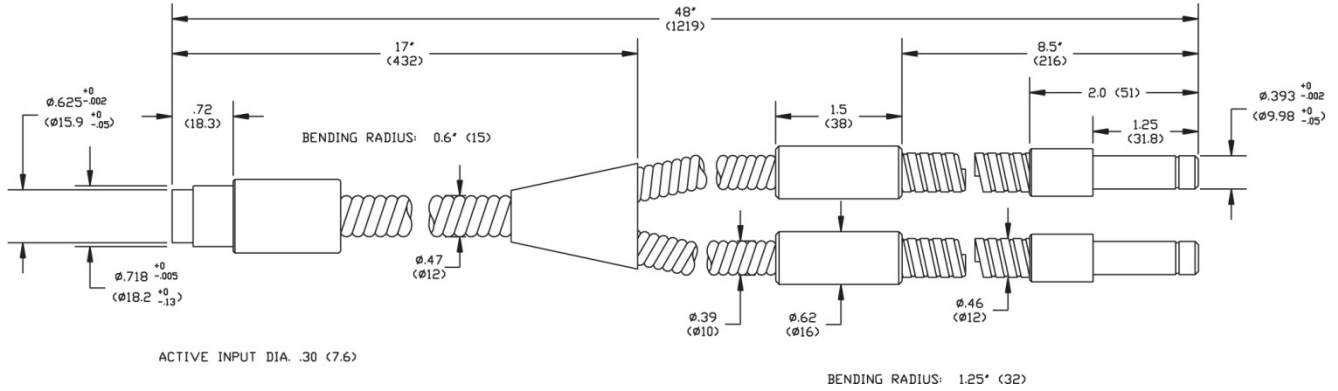
Part No.	Active Input Fiber	Active Output Fiber Diameter	Bundle Tubing Diameter	Gooseneck Tubing Diameter	Bundle Length Diameter	Gooseneck Length
A08510	.30" (8)	.21" (5)	.47" (12)	.46" (12)	17" (432)	8.5"(216)
A08512	.30" (8)	.21" (5)	.47" (12)	.46" (12)	29" (737)	17"(432)
A08520	.30" (8)	.21" (5)	.47" (12)	.46" (12)	30" (762)	18"(457)
A08520.60	.30" (8)	.21" (5)	.47" (12)	.46" (12)	60" (1524)	18"(457)

Dimensions in () are in mm

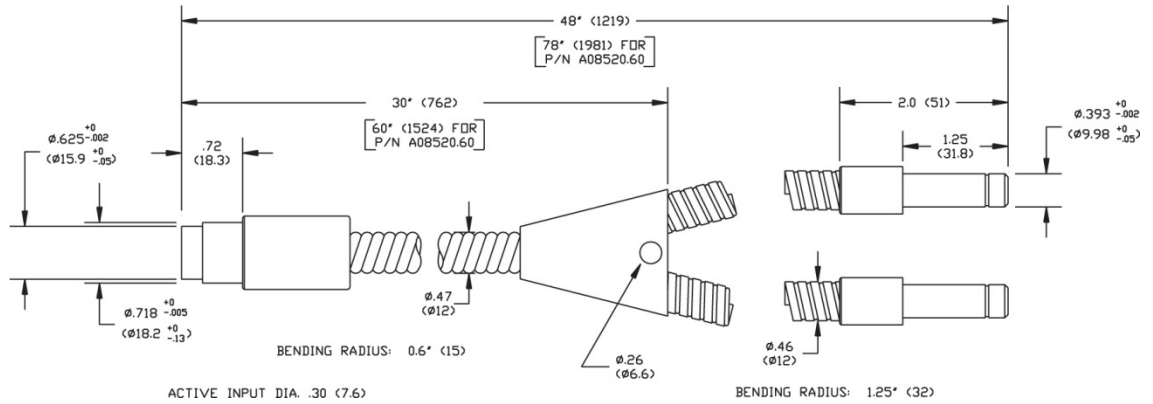
Version 01.2017



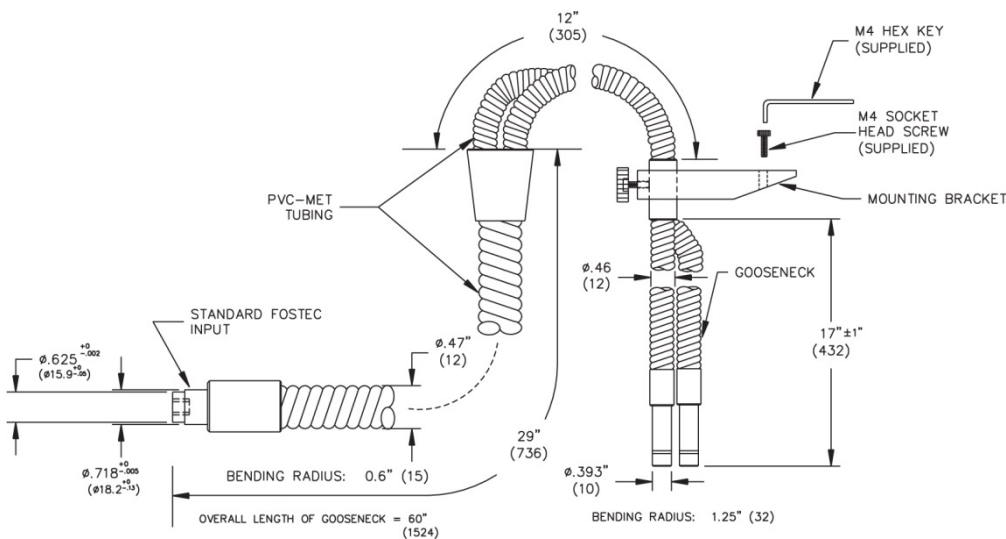
Combination Gooseneck and Bundle Specifications



Combination Gooseneck and Bundle, A08510



Combination Gooseneck and Bundle, A08520 – A08520.60



Dimensions in () are in mm

Warning : This product is manufactured with glass fiber. Not for use in cable/hose carrier. Call SCHOTT to discuss moving cable/hose carrier applications.

All specifications are subject to change without prior notice. This datasheet or any extracts thereof may only be used in other publications with express permission of SCHOTT. © SCHOTT North America, Inc.

Lighting and Imaging
SCHOTT North America, Inc.
 122 Charlton Street
 Southbridge, MA 01550
 USA
 Phone: +1 (508) 765-9744
 Fax: +1 (508) 765-1299
 lightingimaging@us.schott.com
 www.us.schott.com/lightingimaging

